

Model SBU

High Precision Portable Digital Pressure Gauge

Description

The SBU is a portable digital pressure gauge featuring accuracy 0.1%FS in condition of $-10^{\circ}\text{C} \sim 50^{\circ}\text{C}$, multiple measurement units, Min./Max. readings, auto zero and automatic power off to conserve battery(AAA size) power. The SBU will operate with any liquid and gas that is compatible with 316L stainless steel. With Aluminum Die casting housing and Protection Rate IP65 are ideal in poor surroundings.

Features

- ▶ Die casting housing
- ▶ Measuring range 0~70MPa
- ▶ $\pm 0.1\%$ FS Accuracy, -10 to 50°C
- ▶ Large, easy to read display & Backlight Unit
- ▶ 10 selectable pressure units (MPa, mbar, bar, inH_2O , inHg , mmHg , kgf/cm^2 , atm, psi, kPa)
- ▶ Peak, Alarm, Auto power off, Zero/Span Calibration, Auto Zero
- ▶ Option : RS232C communication, 1~5VDC Analog Output, Data logging

Applications

- ▶ Portable Field Calibration & Calibration Labs.
- ▶ Process monitoring & Control
- ▶ Valve & Regulator Test
- ▶ Chart Recorder Replacement
- ▶ Leak Test



Specifications

Range

0~100, 200, 350, 700kPa, 2, 3.5, 7, 20, 35, 70MPa(Gauge)
-100kPa~100, 200, 350, 700kPa, 2, 3.5MPa(Gauge)
0~100, 200, 350, 700kPa, 2, 3.5, 7, 20, 35, 70MPa(Absolute)

Performance

Accuracy $\pm 0.1\%$ FS ± 1 digit
(Include Linearity, Hysteresis, Repeatability, Thermal Error)
Compensated Temperature Range $-10 \sim 50^{\circ}\text{C}$
Operating Temperature Range $-20 \sim 70^{\circ}\text{C}$

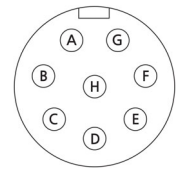
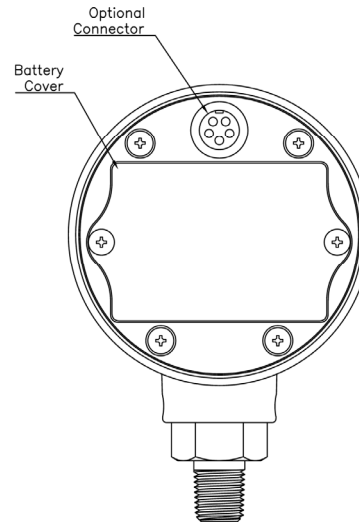
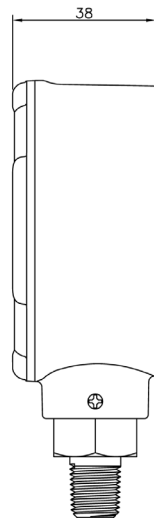
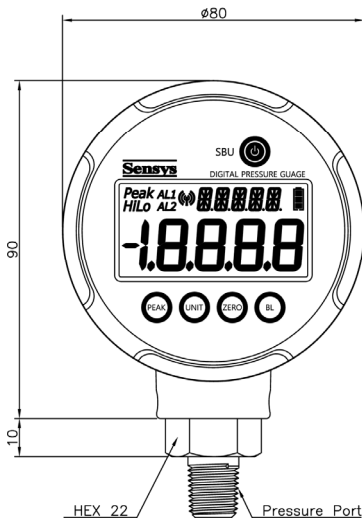
Electrical

Display ± 19999 Backlight LCD
Excitation 1.5V(AAA Size) Alkaline Battery $\times 3$ / External Power : 12~28VDC
Output
Analog Option : 1~5VDC (Only External Power)
Digital Option :RS232 (Only External Power)
Display Time 1, 2, 5, 7, 10 time/sec (on Peak function,10 time/sec)
Function Unit Conversion, Peak, Alarm, Auto Power Off, Zero/Span Calibration, Auto Zero, Data Logging(Only RS232)

Physical

Proof Pressure X1.5
Burst Pressure X2
Vibration 49.1m/s²{5G}, 10~500Hz
Shock 490m/s²{50G}
Pressure Port G(PF)1/4", NPT1/4"
Media-Wetted Materials SS316L
Protection IP65
Weight Approx. 350g

Dimension



Connector
(1~5V, RS232 Output Only)

Pin No.	Wire Color	Connections
A	Red	Ext. Power+
B	Orange	Ext. Power-
C	Black	Com
D	Blue	RS232 Rx
E	Yellow	RS232 Tx
F	Green	Analog Out+
G	Shield	F.G
H	-	-

Option(Accessory)



Analog output & External power adapter



Analog output & RS232 & External power adapter

Ordering Information

Model Name	SBU A 0100 R D G	Type of Pressure Measurement
Output		G : Gauge J : Absolute
A : None B : 1~5VDC C : 1~5VDC & RS232		Pressure port
Pressure Range		D : G(PF)1/4" L : NPT1/4"
XXXX : Pressure CXXX : Compound Pressure		Pressure Unit
		R : kPa M : MPa



SENSOR SYSTEM TECHNOLOGY CO., LTD.

ADD : Rm.5010, Ansan Digital Park, 81, Neungan-ro,
Danwon-gu, Ansan-si, Gyeonggi-do, Korea.
TEL : 82-31-310-8910~9
FAX : 82-31-310-8920
http://www.sensys.co.kr
e-mail : master@sensys.co.kr

· Specifications are subject to change without notice.