

Liquid Filled Electric Contact Thermometers for transformer (431T Series)

Applications

- For transformer, Plant
- Where signal is required (audible or visual alarm)
- Corrosive or non-corrosive media
- Heating and plumbing
- Varying ambient conditions

Temperature Element

- Gas Filled System (0 ~ 200°C) / SAMA CLASS IIIB

Working Range

- Maximum scale value



Standard Specification Overview

Dial Size

- 150mm

Reference Accuracy

- $\pm 2.0\%$ of Full Scale

Scale Ranges

- 0 ~ 200°C
- * For more information, see the ordering information table.

Process Connection

- PT ("R" in ISO) 1/2", NPT 1/2"

Electric Contacts

- AC 125V, 0.5A / 250V, 0.25A
- DC 24V, 0.25A

Material

- Case : Black Finished Aluminium
- Ring (Cover) : Black Finished Aluminium
- Connection : 304 SS
- Stem : 304 SS
- Window : Polycarbonate
- Dial : White Aluminium with Black Graduations
- Pointer : Aluminum Alloy, Black Finished

Optional Extra

- Test Report by Manufacturer
- Test Report by KOLAS (ILAC-MRA)
- Stem Material (316 SS)
- OEM Service for a specific customer

Special Notes

1. "0" adjustable : None

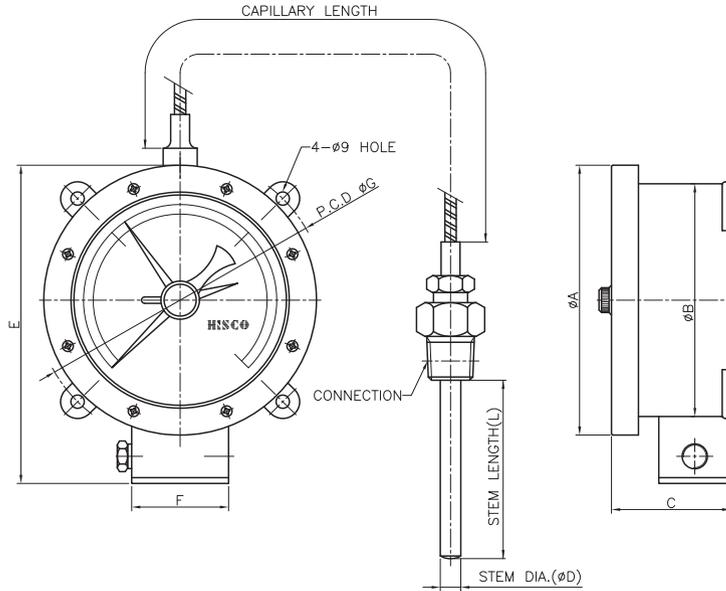
Ordering Information for 431T Series

● = Standard Products ▲ = Available NA = Not Available

Model	Description	Case & Ring	Contact Location
431T	Liquid Filled Electric Contact T/G for transformer	Black Finished Aluminium	One High Contact Point (H)
432T	Liquid Filled Electric Contact T/G for transformer	Black Finished Aluminium	One Low Contact Point (L)
433T	Liquid Filled Electric Contact T/G for transformer	Black Finished Aluminium	Two Contact Points (H & L)
434T	Liquid Filled Electric Contact T/G for transformer	Black Finished Aluminium	Two Contact Points (H & HH)
435T	Liquid Filled Electric Contact T/G for transformer	Black Finished Aluminium	Two Contact Points (L & LL)
Code	Dial Size	Accuracy	
60	150mm	±2.0% of Full Scale	
Code	Mounting Type	All	
T	Upper Connection Remote Surface Mounting	●	
Code	Process Connection Style	All	
2	PT ("R" in ISO Standard)	●	
3	PF ("G" in ISO Standard)	▲	
4	NPT	●	
Code	Process Connection Size	All	
D	3/8"	▲	
F	1/2"	●	
H	3/4"	▲	
X	Others	☞	
Code	Range	All	
XXX	Refer to the Temperature Range Code Table	●	
Code	Connection Material	All	
F	304 SS	●	
Code	Capillary Length	All	
00	N/A	●	
10	1M	▲	
15	1.5M	▲	
20	2M	▲	
30	3M	▲	
40	4M	▲	
50	5M	▲	
60	6M	▲	
XX	Others (Recommend Max Length 10M)	☞	
Code	Sensor (Stem) Outer Diameter	All	
M8	8.0mm	●	
M1	10.0mm	▲	
M2	12.0mm	▲	
Please request for other size of stem out Diameter.			
Code	Sensor (Stem) Length		
0075	75mm	0400	400mm
0750	750mm	0750	750mm
0100	100mm	0450	450mm
0800	800mm	0800	800mm

0150	150mm	0500	500mm	0850	850mm	
0200	200mm	0550	550mm	0900	900mm	
0250	250mm	0600	600mm	0950	950mm	
0300	300mm	0650	650mm	1000	1000mm	
0350	350mm	0700	700mm	XXXX	Other (specify the length in mm or inch)	
Code	Applicable Accessory Options					All
W1	With Thermowell (Refer to the accessory model 100)					▲
J1	Swivel Nut					▲
J2	Compression Fitting					▲
J3	Adjustable Union					▲
J4	Screw Union for 3/4"					▲
J0	N/A					●
Code	Options					All
Test Reports						
T1	Test Report by Manufacturer					▲
T2	Test Report by KOLAS (ILAC-MRA)					▲
Material Option						
CM	Stem Material (316 SS)					▲
Other Option						
OE	OEM Service for a specific customer					▲
Sample Model Selection : 411T40A2F117F10M80100J0						
* The standard specification and price are subject to change without prior notice						

Liquid Filled Electric Contact Thermometers for transformer (431T Series)



(UNIT : mm)

Code	Code	Dial Size	A	B	C	D	E	F	G
60	ø150	ø150	185	158	80	12	215	70	180

HISCO HISCO, INC.

15-5, Yangpyeong-dong, 4-ga, Yeongdeungpo-gu, 150-866 Seoul, Korea
 T : 82-2-2677-6046 F : 82-2-2672-1873 <http://www.hiscoi.com>