

Sanitary Sealed Pressure Gauges (591P Series)

Applications

- Specially designed for food processing industry
- Good for high temperature and high pressure liquid
- Corrode suspended solid
- Vicious or frozen medium

Pressure Limitation

- Steady : full scale value
- Fluctuating : 0.9 of full scale value
- Short time : 1.3 of full scale value

Operating Temperature

- Ambient : -20 ~ 65°C
- Media (Fluid) : + 100°C maximum



Standard Specification Overview

Dial Size

- 60mm (2.5"), 75mm (3"), 100mm (4")

Reference Accuracy

- 60mm, 75mm : $\pm 1.6\%$ of Full Scale
- 100mm : $\pm 1.0\%$ of Full Scale

Scale Ranges *

- 0 ~ 50 MPa
- *For more information, see the ordering information table.

Process Connection

- See the ordering information

Material

- Case : 304 SS
- Ring (Cover) : 304 SS
- Window : Safety Glass (Standard)
- Pointer : Aluminum Alloy, Black Finished
- Connection : 316 SS
- Element (Bourdon Tube) : 316 SS
- Movement : Stainless steel
- Dial : White Aluminum with Black Graduations

Ring Type

- Bayonet

Degree of Protection

- IP 65

Optional Extra

- Test Report by Manufacturer
- Test Report by KOLAS (ILAC-MRA)
- Material Certificate (Mill Sheet)
- Certificate of Sanitary (3-A)

Ordering Information for 591P Series

● = Standard Products ▲ = Available NA = Not Available

Model	Description						
591P	Sanitary Sealed Pressure Gauges						
Code	Dial Size & Model	Code	Dial Size & Model	Code	Dial Size & Model		
Pressure Gauge		Industrial Process Pressure Gauge		Euro Type		Industrial Process Pressure Gauge	
A1	60mm (Model 301P)	D5	100mm (Model 321P)	G7	125mm (Model 381P)		
B1	60mm (Model 305P)	F5	100mm (Model 325P)	J5	100mm (Model 383P)		
A3	75mm (Model 301P)	D6	160mm (Model 321P)	XX	Others (Refer to gauge model table)		
B3	75mm (Model 305P)	F6	160mm (Model 325P)				
* Other pressure model is available. See the available gauge model table							
Code	Process Connection Style						All
C	Clamp (IDF Flange) Style						▲
D	Nut Style (Standard IDF Type)						▲
E	Male Screwed Style						▲
G	Cooling Fin Style						▲
H	Homogenizer Style						▲
J	Homogenizer Flange Style						▲
Code	Process Connection Size	C	D	E	G	H	J
R	3/4"PF	NA	NA	●	NA	NA	NA
S	1"	●	●	NA	NA	NA	NA
T	1 1/2"PF	NA	NA	●	NA	NA	NA
J	1 1/2"	●	●	NA	NA	NA	NA
K	2"	●	●	NA	NA	NA	NA
U	Homogenizer	NA	NA	NA	NA	●	NA
V	Homogenizer Flange	NA	NA	NA	NA	NA	●
W	Cooling Fin	NA	NA	NA	●	NA	NA
X	Non Standard	●	●	●	●	●	●
Code	Diaphragm & Process Connection Material						All
A	316 / 316L SS						▲
Code	Pressure Range	C	D	E	G	H	J
112	0 ~ 0.1 MPa	▲	▲	▲	NA	NA	NA
113	0 ~ 0.2 MPa	▲	▲	NA	▲	NA	NA
114	0 ~ 0.3 MPa	▲	▲	NA	▲	NA	NA
115	0 ~ 0.4 MPa	●	●	●	●	NA	NA
116	0 ~ 0.6 MPa	●	●	●	●	NA	NA
118	0 ~ 1 MPa	●	●	●	●	NA	NA
119	0 ~ 1.5 MPa	●	●	●	●	NA	NA
120	0 ~ 2 MPa	●	●	●	●	NA	NA
121	0 ~ 2.5 MPa	●	●	●	●	NA	NA
122	0 ~ 3.5 MPa	●	●	●	●	NA	NA
124	0 ~ 5 MPa	●	●	●	●	●	●

Code	Applicable Accessory Options
J0	Not Apply
J3	Syphon Tubes
J4	Pulsation Dampeners
J7	Gauge Savers (Gauge Protectors)

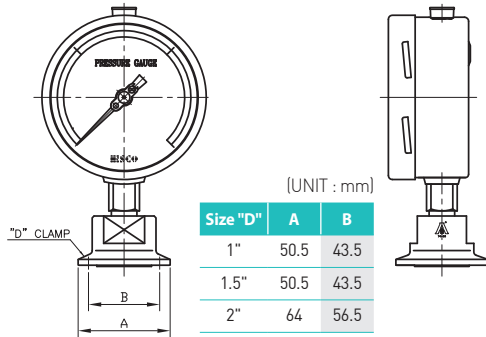
Code	Options	All
Test Reports		
T1	Test Report by Manufacturer	▲
T2	Test Report by KOLAS (ILAC-MRA)	▲
T3	Certificate of Sanitary (3-A), only type 'C'	▲
Other Option		
M1	Material Certificate (Mill Sheet)	▲
W1	Laminated Safety Glass	▲

Sample Model Selection : 591PDCJA00118J0

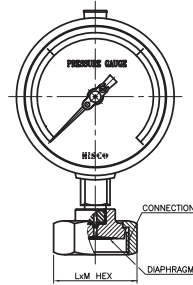
* The standard specification and price are subject to change without prior notice.

Sanitary Sealed Pressure Gauges (591P Series)

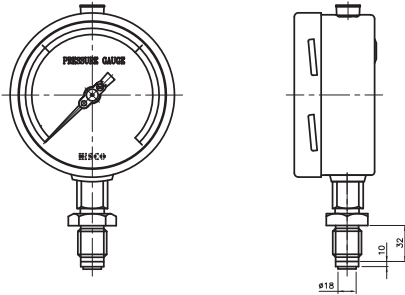
TYPE-C



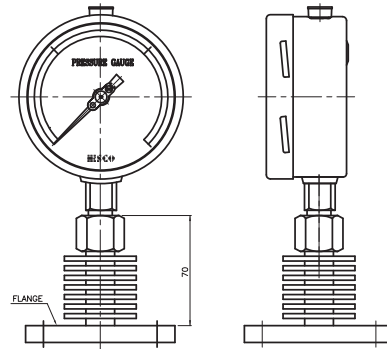
TYPE-D



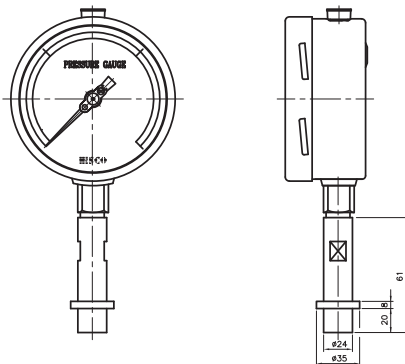
TYPE-E



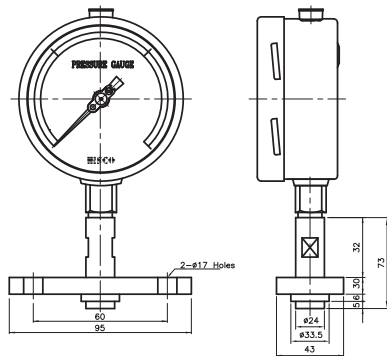
TYPE-G



TYPE-H



TYPE-J



HISCO HISCO, INC.

32, Seonyu-ro 43-gil, Yeongdeungpo-gu, Seoul, Korea
 T : 82-2-2677-6046 F : 82-2-2672-1873 <http://www.hiscoi.com>