

"I" Shape Flanged Diaphragm Sealed Pressure Gauges (531P & 533P Series)

Applications

- Specially designed for chemical, petrochemical, paper and food industry
- All gaseous and liquid media
- Corrode, Suspended solid, Viscous or Frozen medium
- Shock & vibration application
- Chemical & petrochemical
- Pumps, compressors and regulators
- Refining & marine industry

Pressure Limitation

- Steady : 3/4 of full scale value
(recommendation : 25% to 75% of full scale)
- Fluctuating : 2/3 of full scale value
(recommendation : lower 50% of full scale)
- Short time : 130% of full scale value (over range protection)

Operating Temperature

- Ambient : -20 ~ 65°C
- Media (Fluid) : + 100°C maximum
- Filling Liquid : Silicone oil



Standard Specification Overview

Dial Size

- 100mm (4"), 125mm (5"), 160mm (6.5")
- * Above dial size is standard but others are available upon request.

Reference Accuracy

- Refer to Gauge Model

Scale Ranges

- Refer to Gauge Model
- * For more information, see the ordering information table.

Process Connection

- Flange Type

Material

- Upper Flange : 304 SS, 316 SS
- Diaphragm : 316L SS, Monel, Hastelloy-C, Tantalum
- Under Flange : 304 SS, 316 SS, 316L SS, Monel, Hastelloy-C

Optional Extra

- Test Report by Manufacturer
- Test Report by KOLAS (ILAC-MRA)
- Cleaning Service (USE NO OIL)
- Material Certificate (Mill Sheet)

Ordering Information for 531P & 533P Series

● = Standard Products ▲ = Available NA = Not Available

Model	Description			
531P	"I" Shape Flanged Diaphragm Sealed Pressure Gauges			
533P	Remote "I" Shape Flanged Diaphragm Sealed Pressure Gauges			
Code	Dial Size & Model	Code	Dial Size & Model	
Din Type	Industrial Process Pressure		Solid Front Pressure Gauge	
D5	100mm (Model 321P)	G7	125mm (Model 381P)	
F5	100mm (Model 325P)	J5	100mm (Model 383P)	
D6	160mm (Model 321P)	XX	Others (Refer to gauge model table)	
F6	160mm (Model 325P)			
Other pressure model is available. See the available gauge model table				
Code	Standard Type			All
A	ANSI / ASME			▲
K	KS / JIS			▲
D	DIN			▲
Code	Process Connection Size			All
	ANSI / ASME	KS / JIS	DIN	
B	1/2"	15 A	-	▲
H	3/4"	20 A	-	▲
J	1"	25 A	DN 25	▲
R	1 1/2"	40 A	DN 40	▲
T	2"	50 A	DN 50	▲
V	2 1/2"	-	-	▲
W	3"	80 A	DN 80	▲
Y	4"	100 A	DN 100	▲
X	Others			
Code	Flange			All
	ANSI / ASME	KS / JIS	DIN	
2	Class 150	10 K	PN 10	▲
3	-	-	PN 16	▲
4	Class 300	20 K	PN 25	▲
5	Class 600	30 K	PN 40	▲
6	Class 900	40 K	-	▲
7	Class 1500	65 K	-	▲
8	Class 2500	-	-	▲
X	Others			
Code	Process Connection Style			All
RF	RFSF (125~250 AARH)			▲
FF	FF			▲
RJ	RTJ			▲
X	Others			

Code	Pressure Range	All
001	-0.1 ~ 0 MPa	●
002	-0.1 ~ 0.1 MPa	●
003	-0.1 ~ 0.2 MPa	●
004	-0.1 ~ 0.3 MPa	●
005	-0.1 ~ 0.4 MPa	●
006	-0.1 ~ 0.6 MPa	●
007	-0.1 ~ 1.0 MPa	●
008	-0.1 ~ 1.5 MPa	●
009	-0.1 ~ 2.0 MPa	●
111	0 ~ 0.05 MPa	●
112	0 ~ 0.1 MPa	●
113	0 ~ 0.2 MPa	●
114	0 ~ 0.3 MPa	●
115	0 ~ 0.4 MPa	●
116	0 ~ 0.6 MPa	●
118	0 ~ 1 MPa	●
119	0 ~ 1.5 MPa	●
120	0 ~ 2 MPa	●
121	0 ~ 2.5 MPa	●
122	0 ~ 3.5 MPa	●
124	0 ~ 5 MPa	●
126	0 ~ 7 MPa	●

* MPa [SI Unit] is the standard dial scale but others are available upon request.

Code	Diaphragm Material	All
A	316L SS	●
B	316L SS + PTFE Lining	▲
C	316L SS + PTFE Coating	▲
D	Monel 400	▲
E	Hastelloy C-276	▲
G	Tantalum	▲
X	Others	☎

Code	Housing Material	All
	Upper	
1A	304 SS	●
1B	316 SS	▲
1C	316L SS	▲
1X	Other	▲
	Under	
2A	304 SS	▲
2B	316 SS	●
2C	316L SS	▲
2D	Monel	▲
2E	Hastelloy C	▲

2F	PTFE Lining	▲
2G	PTFE Coating	▲
2H	PVC	▲
2I	Teflon	▲
2X	Other	▲

Code	Capillary Connection Length		
00	Direct	56	3.0 m
51	0.5 m	57	3.5 m
52	1.0 m	58	4.0 m
53	1.5 m	59	5.0 m
54	2.0 m	60	Others
55	2.5 m	* Recommend Length Max 10M	

Code	Applicable Accessory Options
J0	Not Apply
J3	Syphon Tubes
J4	Pulsation Dampeners
J6	Flushing Ring
J7	Gauge Savers (Gauge Protectors)

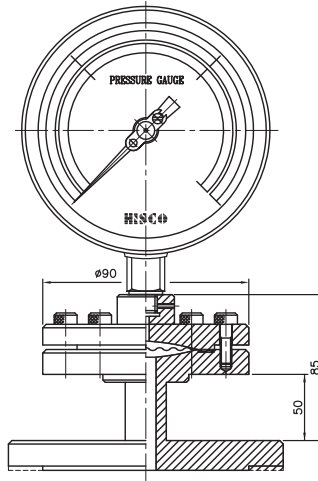
Code	Options	All
Test Reports		
T1	Test Report by Manufacturer	▲
T2	Test Report by KOLAS (ILAC-MRA)	▲
Other Option		
C1	Cleaning Service (USE NO OIL)	▲
M1	Material Certificate (Mill Sheet)	▲

Sample Model Selection : 531PA1B4RF118A1B00J0

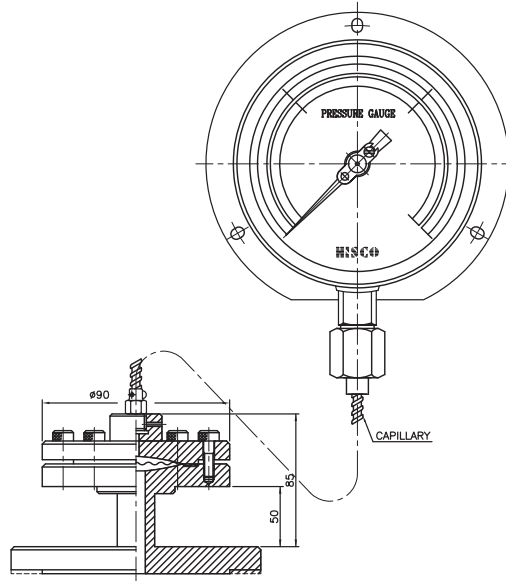
* The standard specification and price are subject to change without prior notice.

"I" Shape Flanged Diaphragm Sealed Pressure Gauges (531P & 533P Series)

531P



533P (REMOTE TYPE)



HISCO HISCO, INC.

32, Seonyu-ro 43-gil, Yeongdeungpo-gu, Seoul, Korea
T : 82-2-2677-6046 F : 82-2-2672-1873 <http://www.hiscoi.com>