

Flat Flanged Diaphragm Sealed Pressure Gauges (511P & 513P Series)

Applications

- Specially designed for chemical, petrochemical, paper and food industry
- All gaseous and liquid media
- Corrode, Suspended solid, Viscous or Frozen medium
- Shock & vibration application
- Chemical & petrochemical
- Pumps, compressors and regulators
- Refining & marine industry

Pressure Limitation

- Steady : 3/4 of full scale value
(recommendation : 25% to 75% of full scale)
- Fluctuating : 2/3 of full scale value
(recommendation : lower 50% of full scale)
- Short time : 130% of full scale value
(over range protection 100mm, 125mm, 160mm)

Operating Temperature

- Ambient : -20 ~ 65°C
- Media (Fluid) : + 100°C maximum
- Filling Liquid : Silicone oil

Standard Specification Overview

Dial Size

- 100mm (4"), 125mm (5"), 160mm (6.5")
- * Above dial size is standard but others are available upon request.

Reference Accuracy

- Refer to Gauge Model

Scale Ranges

- Refer to Gauge Model
- * For more information, see the ordering information table.

Process Connection

- Flange Type

Material

- Upper Flange : 304 SS, 316 SS
- Diaphragm : 316L SS, Monel, Hastelloy-C, Tantalum
- Under Flange : 304 SS, 316 SS, 316L SS, Monel, Hastelloy-C

Optional Extra

- Test Report by Manufacturer
- Test Report by KOLAS (ILAC-MRA)
- Cleaning Service (USE NO OIL)
- Material Certificate (Mill Sheet)



Ordering Information for 511P & 513P Series

● = Standard Products ▲ = Available NA = Not Available

Model	Description			
511P	Flat Flanged Diaphragm Sealed Pressure Gauges			
513P	Remote Flat Flanged Diaphragm Sealed Pressure Gauges			
Code	Dial Size & Model	Code	Dial Size & Model	
DIN Type	Industrial Process Pressure	Solid Front Pressure Gauge		
D5	100mm (Model 321P)	G7	125mm (Model 381P)	
F5	100mm (Model 325P)	J5	100mm (Model 383P)	
D6	160mm (Model 321P)	XX	Others (Refer to gauge model table)	
F6	160mm (Model 325P)			
Other pressure model is available. See the available gauge model table				
Code	Standard Type			All
A	ANSI / ASME			▲
K	KS / JIS			▲
D	DIN			▲
Code	Process Connection Size			All
	ANSI / ASME	KS / JIS	DIN	
J	1"	25 A	DN 25	▲
R	1 1/2"	40 A	DN 40	▲
T	2"	50 A	DN 50	▲
V	2 1/2"	-	-	▲
W	3"	80 A	DN 80	▲
X	Others			
Code	Flange Rating			All
	ANSI / ASME	KS / JIS	DIN	
2	Class 150	10 K	PN 10	▲
3	-	-	PN 16	▲
4	Class 300	20 K	PN 25	▲
5	Class 600	30 K	PN 40	▲
6	Class 900	40 K	-	▲
7	Class 1500	65 K	-	▲
8	Class 2500	-	-	▲
X	Others			
Code	Process Connection Style			All
RF	RFSF (125~250 AARH)			▲
FF	FF			▲
RJ	RTJ			▲
X	Others			
Code	Pressure Range			All
004	-0.1 ~ 0.3 MPa			●
005	-0.1 ~ 0.4 MPa			●
006	-0.1 ~ 0.6 MPa			●

009	-0.1~2.0 MPa	●
111	0 ~ 0.05 MPa	▲
112	0 ~ 0.1 MPa	▲
113	0 ~ 0.2 MPa	▲
114	0 ~ 0.3 MPa	▲
115	0 ~ 0.4 MPa	●
116	0 ~ 0.6 MPa	●
118	0 ~ 1 MPa	●
119	0 ~ 1.5 MPa	●
120	0 ~ 2 MPa	●
121	0 ~ 2.5 MPa	●
122	0 ~ 3.5 MPa	●
124	0 ~ 5 MPa	●
126	0 ~ 7 MPa	▲
127	0 ~ 10 MPa	▲
128	0 ~ 15 MPa	▲
129	0 ~ 25 MPa	▲
130	0 ~ 35 MPa	▲

* MPa (SI Unit) is the standard dial scale but others are available upon request.

* Marking pressure range should check with Flange size.

Code	Diaphragm Material	All
A	316L SS	▲
B	316L SS + PTFE Lining	▲
C	316L SS + PTFE Coating	▲
D	Monel 400	▲
E	Hastelloy C-276	▲
G	Tantalum	▲
X	Others	☺
Code	Housing Material	All
	Upper	
1A	304 SS	●
1B	316 SS	▲
1C	316L SS	▲
1X	Other	▲
	Under	
2A	304 SS	●
2B	316 SS	▲
2C	316L SS	▲
2D	Monel	▲
2E	Hastelloy C	▲
2F	PTFE Lining	▲
2G	PTFE Coating	▲
2H	PVC	▲
2I	Teflon	▲
2X	Other	▲

Code	Capillary Connection Length		
00	Direct	56	3.0 m
51	0.5 m	57	3.5 m
52	1.0 m	58	4.0 m
53	1.5 m	59	5.0 m
54	2.0 m	60	Others
55	2.5 m	* Recommend Length Max 10M	

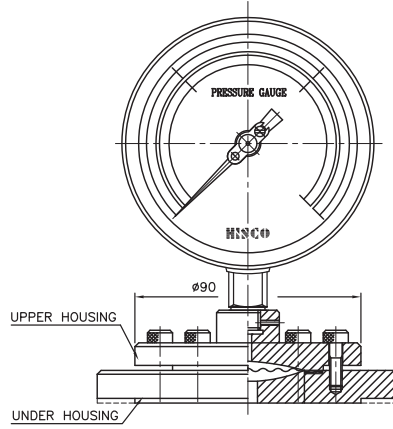
Code	Applicable Accessory Options		
J0	Not Apply		
J3	Syphon Tubes		
J4	Pulsation Dampeners		
J6	Flushing Ring		
J7	Gauge Savers (Gauge Protectors)		

Code	Options	All
Test Reports		
T1	Test Report by Manufacturer	▲
T2	Test Report by KOLAS (ILAC-MRA)	▲
Other Option		
C1	Cleaning Service (USE NO OIL)	▲
M1	Material Certificate (Mill Sheet)	▲

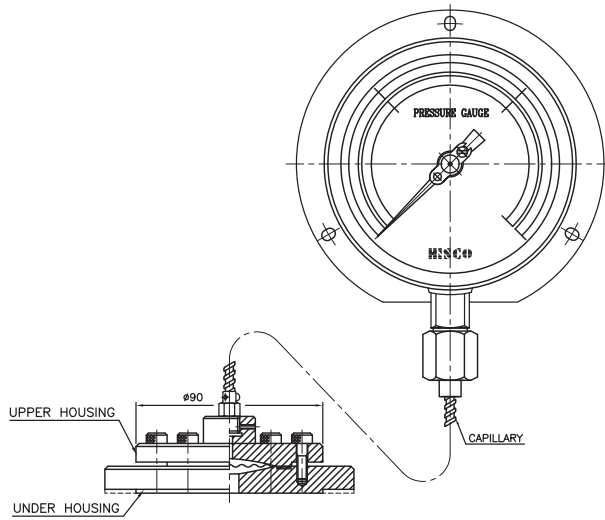
Sample Model Selection : 511PD5B4RF118A1B00J0
* The standard specification and price are subject to change without prior notice.

Flat Flanged Diaphragm Sealed Pressure Gauges (511P & 513P Series)

511P



513P (REMOTE TYPE)



HISCO HISCO, INC.

32, Seonyu-ro 43-gil, Yeongdeungpo-gu, Seoul, Korea
T : 82-2-2677-6046 F : 82-2-2672-1873 <http://www.hiscoi.com>