

Direct Threaded Diaphragm Sealed Pressure Gauges (501P & 503P Series)

Applications

- Specially designed for chemical, petrochemical, paper and food industry
- All gaseous and liquid media
- Corrode, Suspended solid, Viscous or Frozen medium
- Shock & vibration application
- Pumps, compressors and regulators
- Refining & marine industry

Pressure Limitation

- Steady : 3/4 of full scale value
(recommendation : 25% to 75% of full scale)
- Fluctuating : 2/3 of full scale value
(recommendation : lower 50% of full scale)
- Short time : 130% of full scale value
(over range protection 100mm, 125mm, 160mm)

Operating Temperature

- Ambient : -20 ~ 65°C
- Media (Fluid) : + 100°C maximum
- Filling Liquid : Silicone oil



Special Notes

1. Other Process Connections are available as option.

Standard Specification Overview

Dial Size

- 100mm (4"), 125mm (5"), 160mm (6.5")
- * Above dial size is standard but others are available upon request.

Reference Accuracy

- Refer to Gauge Model

Scale Ranges

- Refer to Gauge Model
- * For more information, see the ordering information table.

Process Connection

- PF ("G" in ISO) 3/8", PT ("R" in ISO) 1/2", NPT 1/2"

Material

- Upper Flange : 304 SS, 316 SS
- Diaphragm : 316L SS, Monel, Hastelloy-C, Tantalum
- Under Flange : 304 SS, 316 SS, 316L SS, Monel, Hastelloy-C

Optional Extra

- Test Report by Manufacturer
- Test Report by KOLAS (ILAC-MRA)
- Laminated Safety Glass
- 316 SS Case & Cover (Ring)
- Cleaning Service (USE NO OIL)
- Supersonic Cleansing Service
- Peak Valve Memory Pointer (only for 100mm)
- Protection Cover (Polycarbonate)
- Liquid Filled (for high temperature)

Ordering Information for 501P & 503P Series

● = Standard Products ▲ = Available NA = Not Available

Model	Description				
501P	Direct Thread Diaphragm Sealed Pressure Gauges				
503P	Remote Threaded Diaphragm Sealed Pressure Gauges				
Code	Dial Size & Model	Code	Dial Size & Model	Code	Dial Size & Model
Pressure Gauge		DIN Type Industrial Process Pressure Gauge		Solid Front Pressure Gauge	
A1	60mm (Model 301P)	D5	100mm (Model 321P)	G7	125mm (Model 381P)
B1	60mm (Model 305P)	F5	100mm (Model 325P)	J5	100mm (Model 383P)
A3	75mm (Model 301P)	D6	160mm (Model 321P)	XX	Others (Refer to gauge model table)
B3	75mm (Model 305P)	F6	160mm (Model 325P)		

For model 501P, mounting type "A" applies. Other mounting types are available and use accessory model.

For model 503P, mounting type "B" applies. Other mounting types are available and use accessory model.

Other pressure model is available. See the available gauge model table

Code	Process Connection Style	All
2	PT ("R" in ISO Standard)	●
3	PF ("G" in ISO Standard)	▲
4	NPT	●
X	Others	☞

Code	Process Connection Size	All
C	1/4"	●
D	3/8"	●
F	1/2"	●
H	3/4"	▲

Code	Pressure Range	All
001	-0.1 ~ 0 MPa	●
002	-0.1 ~ 0.1 MPa	●
003	-0.1 ~ 0.2 MPa	●
004	-0.1 ~ 0.3 MPa	●
005	-0.1 ~ 0.4 MPa	●
006	-0.1 ~ 0.6 MPa	●
007	-0.1 ~ 1.0 MPa	●
008	-0.1 ~ 1.5 MPa	●
009	-0.1 ~ 2.0 MPa	●
111	0 ~ 0.05 MPa	●
112	0 ~ 0.1 MPa	●
113	0 ~ 0.2 MPa	●
114	0 ~ 0.3 MPa	●
115	0 ~ 0.4 MPa	●
116	0 ~ 0.6 MPa	●
118	0 ~ 1 MPa	●
119	0 ~ 1.5 MPa	●
120	0 ~ 2 MPa	●
121	0 ~ 2.5 MPa	●

122	0 ~ 3.5 MPa	●
124	0 ~ 5 MPa	●
126	0 ~ 7 MPa	●
127	0 ~ 10 MPa	▲
128	0 ~ 15 MPa	▲
129	0 ~ 25 MPa	▲
130	0 ~ 35 MPa	▲

* MPa is the standard dial scale but others are available upon request.

Code	Diaphragm Material	All
A	316L SS	●
B	316L SS + PTFE Lining	▲
C	316L SS + PTFE Coating	▲
D	Monel 400	▲
E	Hastelloy C-276	▲
G	Tantalum	▲
X	Others	☎

Code	Housing Material	All
Upper		
1A	304 SS	●
1B	316 SS	▲
1C	316L SS	▲
1X	Other	▲
Under		
2A	304 SS	▲
2B	316SS	●
2C	316L SS	▲
2D	Monel	▲
2E	Hastelloy C	▲
2G	PTFE Coating	▲
2H	PVC	▲
2I	Teflon	▲
2X	Other	▲

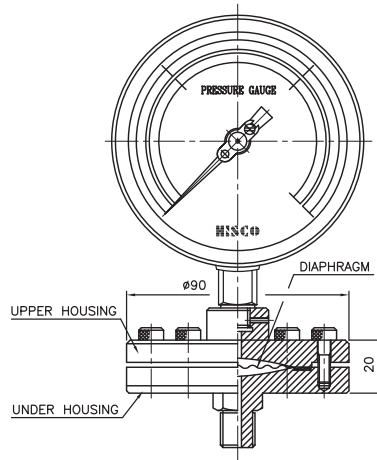
Code	Capillary Connection Length		
00	Direct	56	3.0 m
51	0.5 m	57	3.5 m
52	1.0 m	58	4.0 m
53	1.5 m	59	5.0 m
54	2.0 m	60	Others
55	2.5 m	* Recommend Length Max 10M	

Code	Applicable Accessory Options
J0	Not Apply
J3	Syphon Tubes
J4	Pulsation Dampeners
J7	Gauge Savers (Gauge Protectors)

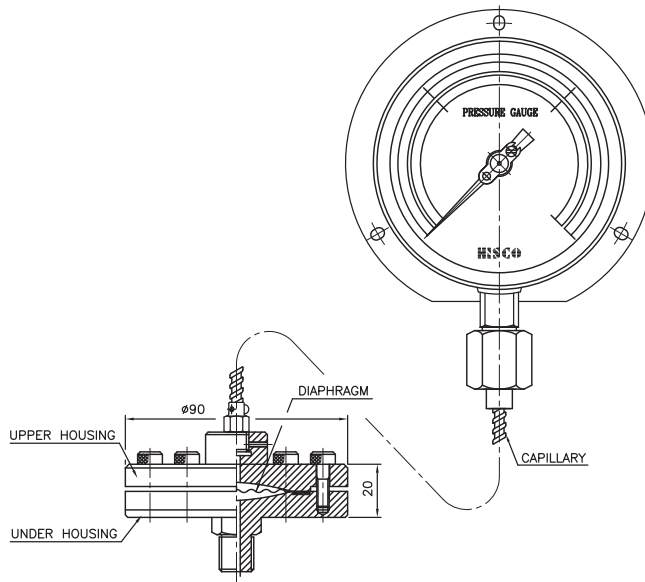
Code	Options	All
Test Reports		
T1	Test Report by Manufacturer	▲
T2	Test Report by KOLAS (ILAC-MRA)	▲
Other Option		
C1	Cleaning Service (USE NO OIL)	▲
M1	Material Certificate (Mill Sheet)	▲
F1	Liquid Filled (for high temperature)	▲
Sample Model Selection : 501PD52F618A1B00J0		
* The standard specification and price are subject to change without prior notice.		

Direct Threaded Diaphragm Sealed Pressure Gauges (501P & 503P Series)

501P



503P (REMOTE TYPE)



HISCO HISCO, INC.

32, Seonyu-ro 43-gil, Yeongdeungpo-gu, Seoul, Korea
T : 82-2-2677-6046 F : 82-2-2672-1873 <http://www.hiscoi.com>