

DIN type Precision Test Gauges (621P Series)

Applications

- Pressure gauge calibration
- High precision gauges
- Instrument shops, Laboratories
- Precise applications requiring high accuracy
- Where the operating error must be minimized

Pressure Limitation

- Steady : 3/4 of full scale value
(recommendation : 25% to 75% of full scale)
- Fluctuating : 2/3 of full scale value
(recommendation : lower 50% of full scale)
- Short time : 130% of full scale value (over range protection)

Operating Temperature

- Ambient : -20 ~ 60°C
- Media (Fluid) : +100°C maximum



Standard Specification Overview

Dial Size

- 160mm (6.5")

Reference Accuracy

- $\pm 0.5\%$ of Full Scale

Scale Ranges

- Vacuum, Compound & 0 ~ 1000 bar
- * For more information, see the ordering information table.

Process Connection

- NPT 3/8", 1/2"

Material

- Case : 304 SS
- Ring (Cover) : 304 SS
- Window : Safety Glass
- Pointer : Aluminum Alloy, Black Finished
- Connection : 316 SS
- Element (Bourdon Tube) : 316 SS
- Movement : Stainless steel
- Dial : White Aluminum with Black Graduations

Degree of Protection

- IP 65

Optional Extra

- Test Report by Manufacturer
- Test Report by KOLAS (ILAC-MRA)
- Cleaning Service (USE NO OIL)
- Material Certificate (Mill Sheet)
- High Accuracy ($\pm 0.25\%$ of F.S.) Calibration

Ordering Information for 621P Series

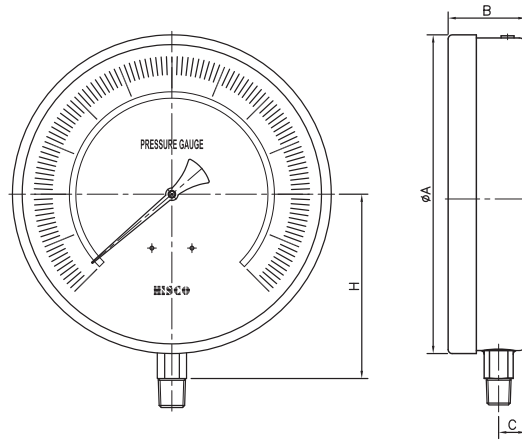
● = Standard Products ▲ = Available NA = Not Available

Model	Description	Case & Ring	Wetted Parts
621P	DIN type Precision Test Gauges	304 SS	316 SS
Code	Dial Size	Accuracy	621P
65	160mm (6.5")	± 0.5% of F.S.	●
Code	Mounting Type		65
A	Bottom Connection without Mounting Flange		●
J	Lower Back Connection with 3-hole Front Mounting Flange		●
Code	Process Connection Style		65
4	NPT		●
Code	Process Connection Size		65
D	3/8"		●
F	1/2"		●
Code	Pressure Range		65
501	-1 ~ 0 bar		●
611	0 ~ 0.6 bar		●
612	0 ~ 1 bar		●
613	0 ~ 1.6 bar		●
614	0 ~ 2.5 bar		●
615	0 ~ 4 bar		●
616	0 ~ 6 bar		●
618	0 ~ 10 bar		●
619	0 ~ 16 bar		●
621	0 ~ 25 bar		●
623	0 ~ 40 bar		●
625	0 ~ 60 bar		●
627	0 ~ 100 bar		●
628	0 ~ 160 bar		●
629	0 ~ 250 bar		●
631	0 ~ 400 bar		●
633	0 ~ 600 bar		●
635	0 ~ 1000 bar		●
* MPa (SI Unit) is the standard dial scale but others are available upon request			
Code	Applicable Accessory Options		
J0	Not Apply		
J1	Adapter		
J2	Gauge Unions		
J3	Syphon Tubes		
J4	Pulsation Dampeners		
J5	Pressure Snubber		
J7	Gauge Savers (Gauge Protectors)		
J8	Safety Kloser		
J9	Manifold Valves		

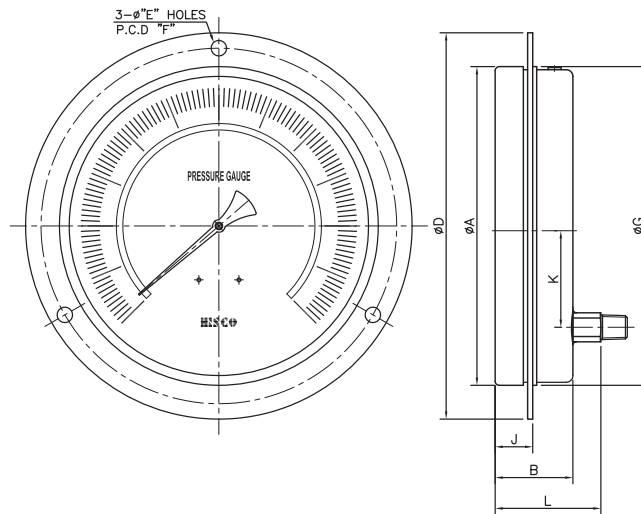
Code	Options	65
Test Reports		
T1	Test Report by Manufacturer	▲
T2	Test Report by KOLAS (ILAC-MRA)	▲
C1	Cleaning Service (USE NO OIL)	▲
M1	Material Certificate (Mill Sheet)	▲
AC	High Accuracy ($\pm 0.25\%$ of F.S.) Calibration	▲
Sample Model Selection : 621P65A4F118J0		
* The standard specification and price are subject to change without prior notice.		

DIN type Precision Test Gauges (621P Series)

TYPE-A



TYPE-J



[UNIT : mm]

Code	Dial Size	(Available Type)	A	B	C	D	E	F	G	H	J	L	K
65	$\phi 160$	A,J	161	50	16.5	190	5.5	173	159	97	22.8	70	29

HISCO HISCO, INC.

32, Seonyu-ro 43-gil, Yeongdeungpo-gu, Seoul, Korea
 T : 82-2-2677-6046 F : 82-2-2672-1873 <http://www.hiscoi.com>