

INSTRUMENT

Ball Valves VB3



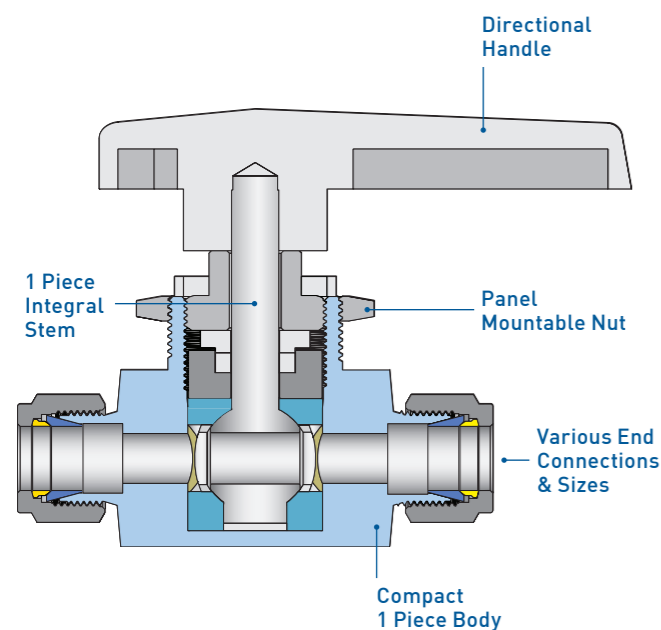
Ball Valves VB3

CONTENTS

Features	128	How To Order	129
Application	128	VB3 series	130
Testing	128	VB3X series	131
Cleaning	128	VB3C series	132
Important Notification	128	VB3CA series Color Coding Handle	133
Materials of Construction	129		

Features

- Pressure rating with standard PTFE seats 3000psig (206bar) only for the valves with orifice 4.8
- 2500psig (172bar) for the other valves
- Temperature rating from 10 °C(50 °F) to 65 °C(150 °F) with standard PTFE packing
- Compact designed one piece body to reduce space and possible leak point
- One piece integral ball stem to eliminate backlash and to encapsulate ball seats perfectly
- Panel mounting for easy installation
- Wide choice of end connections : UNILOK tube fittings, Female NPT or ISO7/1(PT) thread
- 2 way shut off valves and 3 way switching valves are available



Application

VB3, VB3X series ball valves with lowest dead volume is required in analytical purpose to prevent fluid entrapment which can cause contamination.

Sour Environment Services

UNILOK valves are comply with NACE MR-0175/ISO 15156 for sour oilfield application or NACE MR-0103 for petroleum refining operations.

To order, add-N to the end of part number.

Testing

Every valve is 100% factory tested with air and nitrogen at 1000psig(69bar) for leakage at the seat and packing. Each test is performed to a maximum allowable leak rate of 0.1scc/min.

Cleaning

UNILOK valves are free from machine oils, loose particles and grease throughout the close cleaning process.

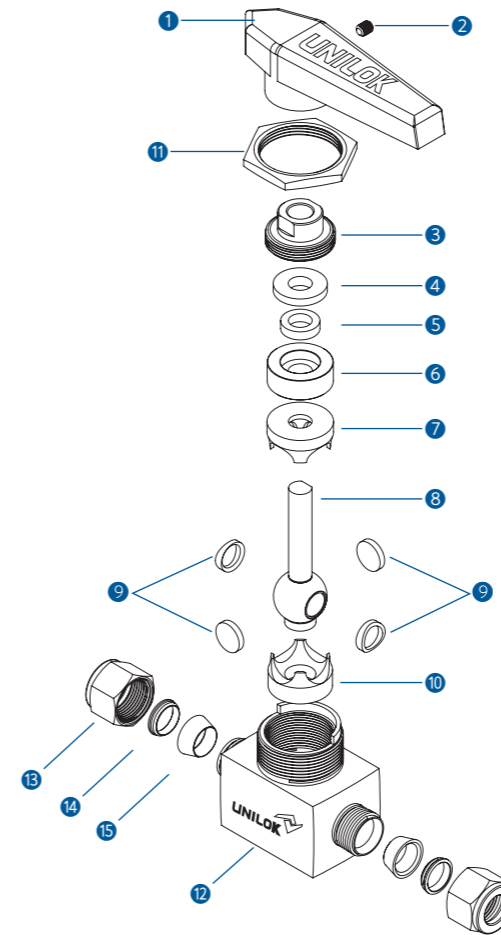
The special cleaning for high purity application is available upon request.

Important Notification

UNILOK ball valves are designed to be operated in a fully open or fully closed position.

The packing adjustment may be required during the valve's service life.

Proper installation, materials compatibility, operation and maintenance of these valves are the responsibility of the user. The total system design must be taken into consideration to ensure optimal performance and safety.



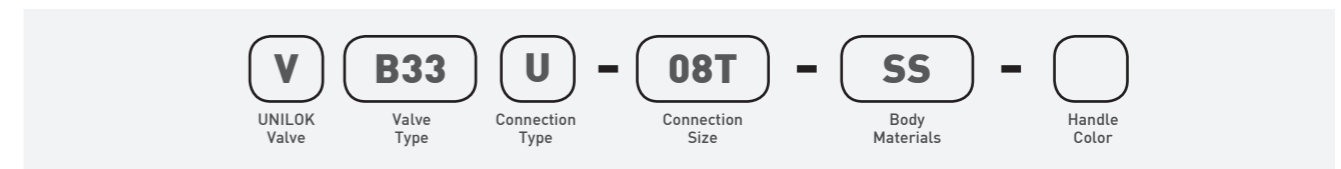
Materials of Construction

No.	Description	Materials	
		316SS	Brass
Body Material			
1	Handle	Nylon	
2	Set Screw	304SS	
3	Packing Bolt	316SS	Brass
4	Upper Gland	316 SS	
5	Lower Bushing	PTFE	
6	Lower Gland	316SS	
7	Upper Packing	PTFE	
8	Ball Stem	316 SS	
9	Side Disk	316 SS	
10	Lower Packing	PTFE	
11	Panel Nut	304SS	Brass
12	Body	316SS	Brass
13	Nut	316SS	Brass
14	Back Ferrule	316SS	Brass
15	Front Ferrule	316SS	Brass

How To Order

UNILOK VB3 series ball valves are ordered by part number as shown below.

Example: The following part number, **VB33U-08T-SS** is designated for VB3 series ball valve with both 1/2" UNILOK tube fitting, 316SS, PTFE seat.



Valve Type	
B3	2 Way Type
B3X	3 Way Type
B3C	Compact Type, 2 & 3 Way
B3CA	Compact Type, Angle Pattern

Connection Type	
U	UNILOK Tube Fitting
F	Female NPT or ISO7/1(PT)

Connection Size					
Fractional(Inch) Tube O.D. Designation					
Tube O.D.	inch	1/4	3/8	1/2	3/4
	mm	6.35	9.52	12.70	19.05
Designator		04T	06T	08T	12T

Metric Tube O.D. Designation					
Tube O.D.	mm	6	8	10	12
	Designator	M06T	M08T	M10T	M12T

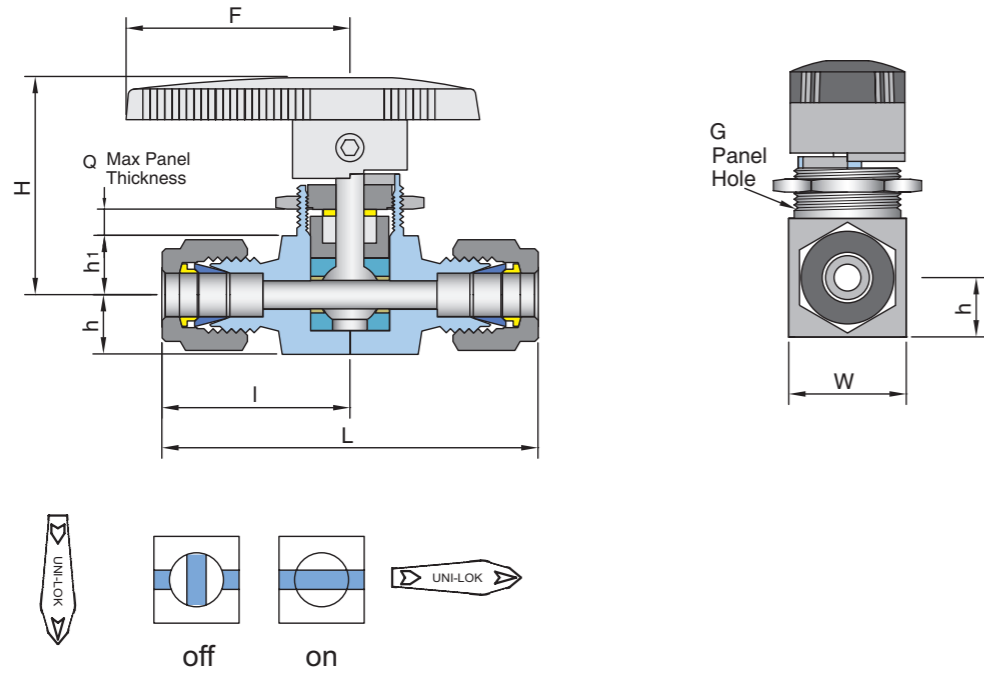
Pipe Size Designation (NPT or ISO7/1-PT)				
Pipe Size	1/8	1/4	3/8	1/2
Designator	02N/R	04N/R	06N/R	08N/R

Body Materials	
SS	316SS
BS	Brass

Colored directional handles are available only for VB3C series, compact type ball valves.

VB3 series

(2 Way, Shut-Off Both UNILOK Tube Fittings or Both Female Threads)



Ordering Information & Dimensions

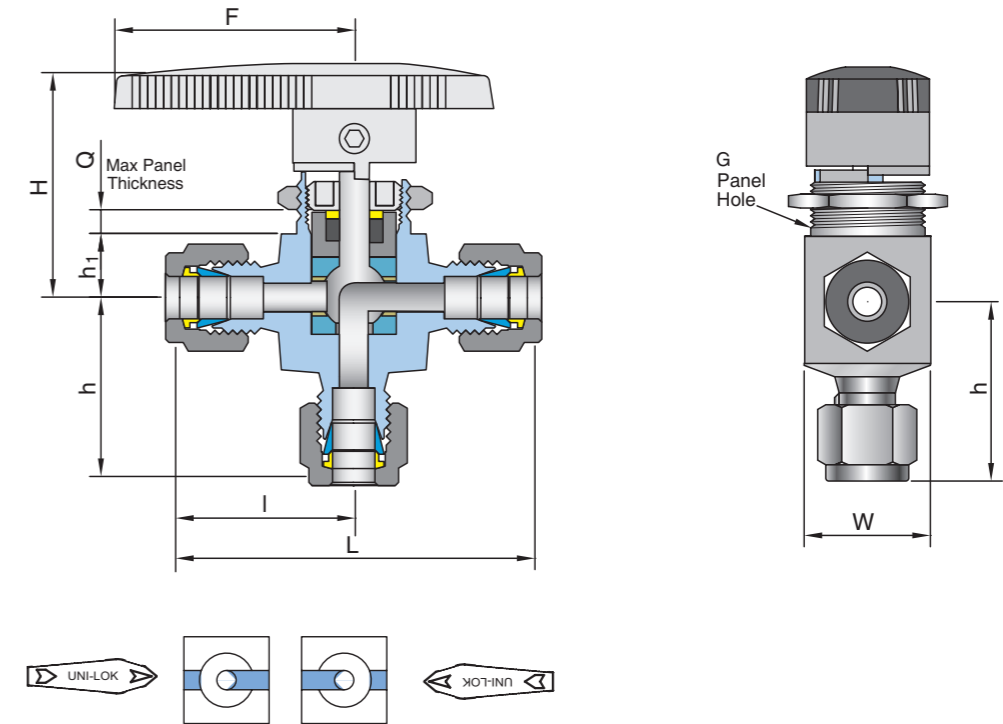
Part No.	End Connections		Orifice	CV	Dimensions (mm)								
	Inlet	Outlet			L	I	h	h1	H	G	Q	W	F
VB31	U-04T-	1/4" UNILOK	4.8	1.4	62.6	31.3	10.0	10.6	39.6	19.8	4.8	19.8	40.0
	U-06T-	3/8" UNILOK		1.5	66.6	33.3							
	U-M06T-	6mm UNILOK		1.4	62.6	31.3							
	U-M08T-	8mm UNILOK		1.5	63.2	31.6							
	F-02N-	1/8" Female NPT		1.2	50.8	25.4							
F-04N-	1/4" Female NPT	0.9	52.4	26.2									
VB32	U-06T-	3/8" UNILOK	7.1	6.0	77.8	38.9	14.3	14.5	52.8	28.0	9.0	28.6	51.0
	U-M10T-	10mm UNILOK		6.0	77.8	38.9							
	F-04N-	1/4" Female NPT		3.0	63.6	31.8							
	F-06N-	3/8" Female NPT		2.6	63.6	31.8							
VB33	U-08T-	1/2" UNILOK	10.3	12.0	98.6	49.3	18.0	17.5	61.9	38.1	9.4	38.1	76.2
	U-12T-	3/4" UNILOK		6.4	99.2	49.6							
	U-M12T-	12mm UNILOK		12.0	98.8	49.4							
	U-M20T-	20mm UNILOK		6.4	100.0	50.0							
	F-08N-	1/2" Female NPT		6.3	80.0	40.0							

Female ISO7/1 Tapered Threads (PT) are available for all fractional sizes of VB3F series valves. Add "R" as a suffix instead of "N".

Dimensions are for reference only and are subject to change without prior notice.

VB3X series

(3 Way, Switching UNILOK Tube Fittings or Female Threads)



Ordering Information & Dimensions

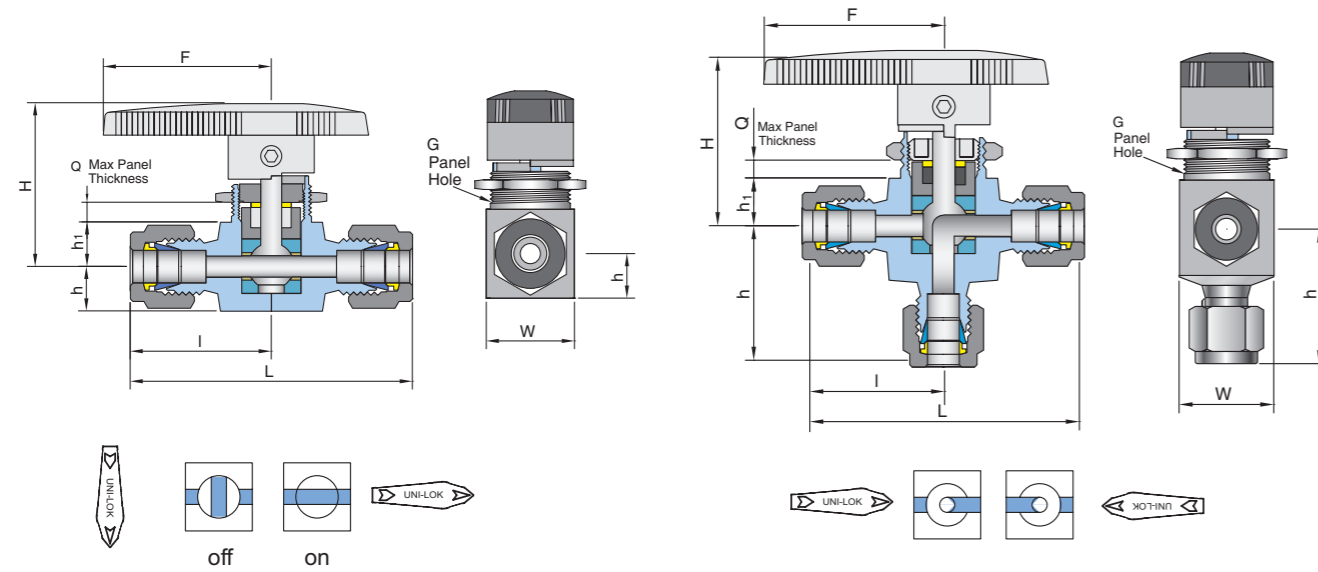
Part No.	End Connections		Orifice	CV	Dimensions (mm)								
	Inlet	Outlet			L	I	h	h1	H	G	Q	W	F
VB3X1	U-04T-	1/4" UNILOK	4.8	0.90	59.8	29.9	10.6	39.6	19.8	4.8	19.8	40.0	
	U-M06T-	6mm UNILOK		0.90	59.8	29.9							29.9
	U-M08T-	8mm UNILOK		0.80	62.6	31.3							31.2
	F-04N-	1/4" Female NPT		0.75	50.8	25.4							26.2
VB3X2	U-06T-	3/8" UNILOK	7.1	2.00	73.2	36.6	14.5	52.8	28.0	9.0	28.6	51.0	
	U-M10T-	10mm UNILOK		2.00	73.2	36.6							35.8
	F-04N-	1/4" Female NPT		1.70	63.6	31.8							31.8
	F-06N-	3/8" Female NPT		1.50	63.6	31.8							31.8
VB3X3	U-08T-	1/2" UNILOK	10.3	4.60	88.0	44.0	17.5	61.9	38.1	9.4	38.1	76.2	
	U-M12T-	12mm UNILOK		4.80	88.0	44.0							44.0
	F-08N-	1/2" Female NPT		3.50	79.2	39.6							39.6

Female ISO7/1 Tapered Threads (PT) are available for all fractional sizes of VB3XF series valves. Add "R" as a suffix instead of "N".

Dimensions are for reference only and are subject to change without prior notice.

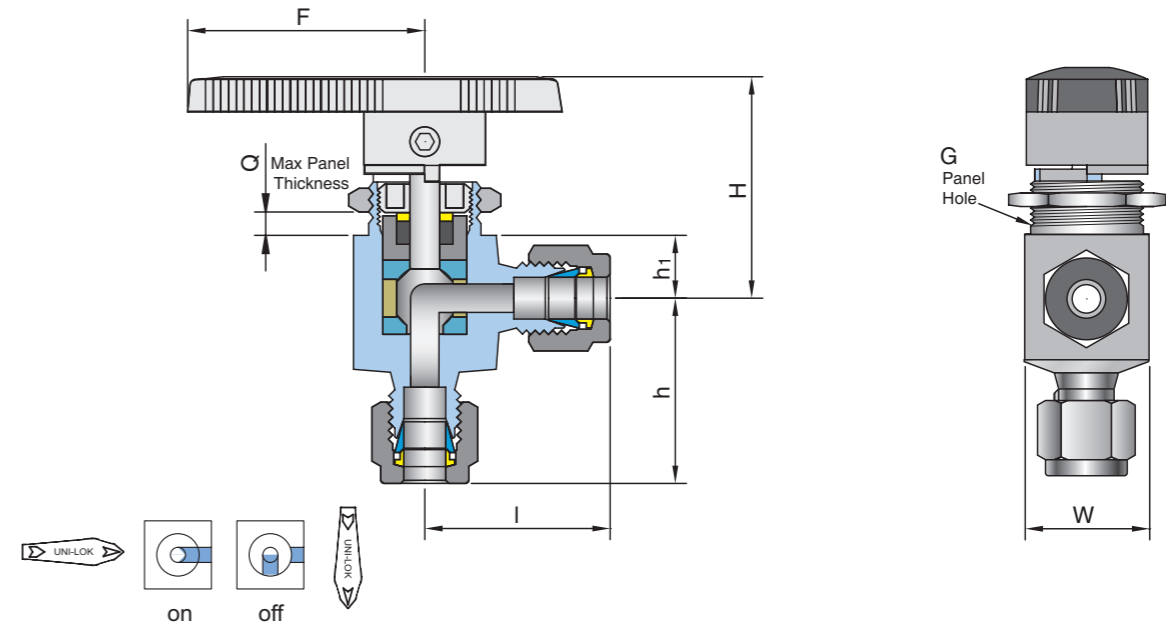
VB3C series

(Compact Type Ball Valve 2 Way, Shut Off & 3 Way, Switching)



VB3CA series

(Compact Type Ball Valve Angle Pattern)



Ordering Information & Dimensions

Part No.	End Connection		Orifice	CV	Dimensions (mm)								
	Inlet	Outlet			L	I	h	h ₁	H	G	Q	W	F
2 Way													
VB3CU-02T-	1/8" UNILOK		2.3	0.2	51.0	25.5	8.8	8.8	34.0	15.0	4.8	17.0	28.0
VB3CU-M03T-	3mm UNILOK			0.2	50.8	25.4							
VB3CU-04T-	1/4" UNILOK		0.6	55.4	27.7								
VB3CU-M06T-	6mm UNILOK		0.6	55.4	27.7								
VB3CF-02N-	1/8" Female NPT		0.5	41.2	20.6								
3 Way													
VB3CXU-02T-	1/8" Female NPT		2.3	0.15	51.0	25.5	8.8	34.0	15.0	4.8	17.0	28.0	
VB3CXU-M03T-	3mm Female NPT			0.15	50.8	25.4							
VB3CXU-04T-	1/4" UNILOK		3.2	0.35	55.4	27.7							
VB3CXU-M06T-	6mm UNILOK				55.4	27.7							26.7
VB3CXF-02N-	1/8" Female NPT		0.5	41.2	20.6								

Female ISO7/1 Tapered Threads (PT) are available for all fractional sizes of VB3CF and VB3CXF series valves. Add "R" as a suffix instead of "N".

Dimensions are for reference only and are subject to change without prior notice.

Ordering Information & Dimensions

Part No.	End Connections		Orifice	CV	Dimensions (mm)							
	Inlet	Outlet			I	h	h ₁	H	G	Q	W	F
VB3CA	U-02T-	1/8" UNILOK	2.3	0.15	25.5	24.8	8.8	34.0	15.0	4.8	17.0	28.0
	U-M03T-	3mm UNILOK			25.4	25.4						
	U-04T-	1/4" UNILOK	3.2	0.35	26.7	26.7						
	U-M06T-	6mm UNILOK			26.7	26.7						
	F-02N-	1/8" Female NPT	20.6	20.6								

Female ISO7/1 Tapered Threads (PT) are available for all fractional sizes of VB3CAF series valves. Add "R" as a suffix instead of "N".

Application

VB3C series valve with compact size, directional indication of flow and high flow capacity are required at sampling system, process instrument, equipment.

Color Coding Handle

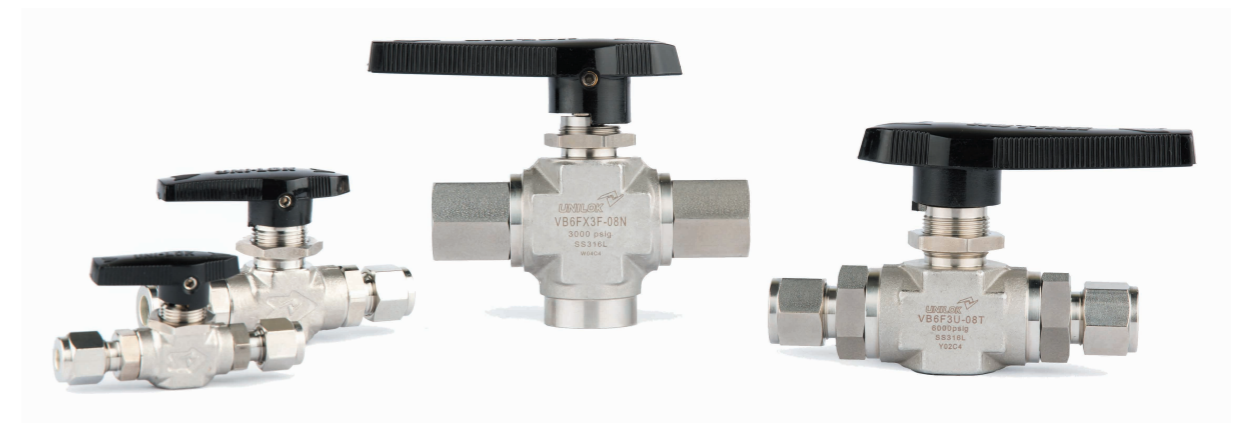
Colored handle are available for VB3C series, compact type ball valves. To order, add the designator to the end of part number.

Color	Designator
Black	B
Blue	S
Red	R
Green	G
Yellow	Y

Dimensions are for reference only and are subject to change without prior notice.

INSTRUMENT

High Pressure Ball Valves VB6F



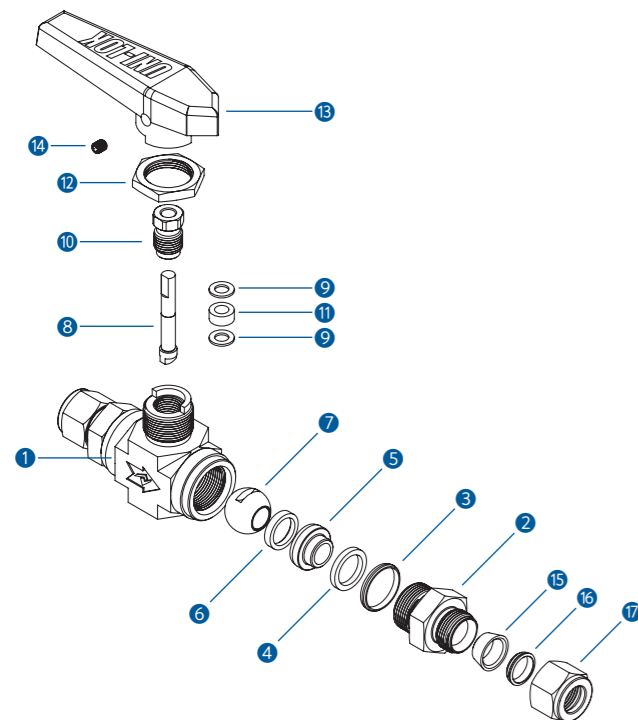
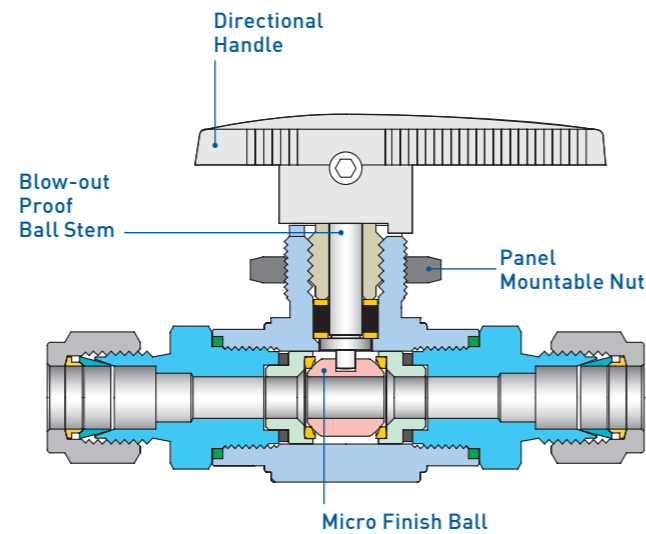
High Pressure Ball Valves VB6F

CONTENTS

Features	136	How To Order	137
Materials of Construction	136	VB6F series	138
Application	137	VB6FX series	139
Testing	137	Pressure-Temperature Ratings	140
Cleaning	137	Flow Rates	140
Important Notification	137		

Features

- Pressure rating up to 6000psig (413bar) @21°C (70°F) with standard PCTFE seats
- Temperature rating from -54°C(-65°F) to 177°C (350°F) with standard PCTFE seats
- Compact forged body design
- Micro finished 316SS ball to provide a positive seal
- Blow-out proof design with internally loaded ball stem
- Low operating torques and positive handle stops
- Panel mounting for easy installation
- 2 way shut off valves and 3 way switching valves are available



Materials of Construction

No.	Description	Materials
1	Body	316SS
2	Connector	316SS
3	Connector O-ring	PTFE
4	Retainer Seal	PTFE
5	Seat Retainer	316SS
6	Ball Seat	PCTFE
7	Ball	316SS
8	Stem	316SS
9	Washer	304SS
10	Packing Bolt	304SS
11	Packing	PTFE
12	Panel Nut	316SS
13	Handle	Nylon
14	Bolt	304SS
15	Front Ferrule	316SS
16	Back Ferrule	316SS
17	Nut	316SS

Application

VB6F series valves are requiring in a wide range onshore and offshore applications to offer a safe and reliable performance.

Sour Environment Services

UNILOK valves are comply with NACE MR-0175/ISO 15156 for sour oilfield application or NACE MR-0103 for petroleum refining operations. To order, add-N to the end of part number

Testing

Every valve is 100% factory tested with air and nitrogen at 1000psig(69bar) for leakage at the seat and packing. Each test is performed to a maximum allowable leak rate of 0.1scc/min. Hydrostatic shell test to be performed at 1.5 time of the working pressure with optional.

How To Order

UNILOK VB6F series ball valves are ordered by part number as shown below.

Cleaning

UNILOK valves are free from machine oils, loose particles and grease throughout the close cleaning process.

Important Notification

UNILOK ball valves are designed to be operated in a fully open or fully closed position. The packing adjustment may be required during the valve's service life. Proper installation, materials compatibility, operation and maintenance of these valves are the responsibility of the user. The total system design must be taken into consideration to ensure optimal performance and safety.

Example: The following part number, **VB6F2U-04T-SS-PK** is designated for VB6F series ball valve with both 1/4" UNILOK tube fitting, 316SS, PEEK seat.

V	B6F2	U	-	04T	-	SS	-	PK
UNILOK Valve	Valve Type	Connection Type		Connection Size		Body Materials		Seat Materials
						Other alloys are available upon request		

Valve Type	
B6F	2 Way Type
B6FX	3 Way Type

Connection Type	
U	UNILOK Tube Fitting
F	Female NPT or ISO7/1(PT)
M	Male NPT or ISO7/1(PT)

Connection Size						
Fractional(Inch) Tube O.D. Designation						
Tube O.D.	inch	1/8	1/4	3/8	1/2	3/4
	mm	3.17	6.35	9.53	12.70	19.05
Designator		02T	04T	06T	08T	12T

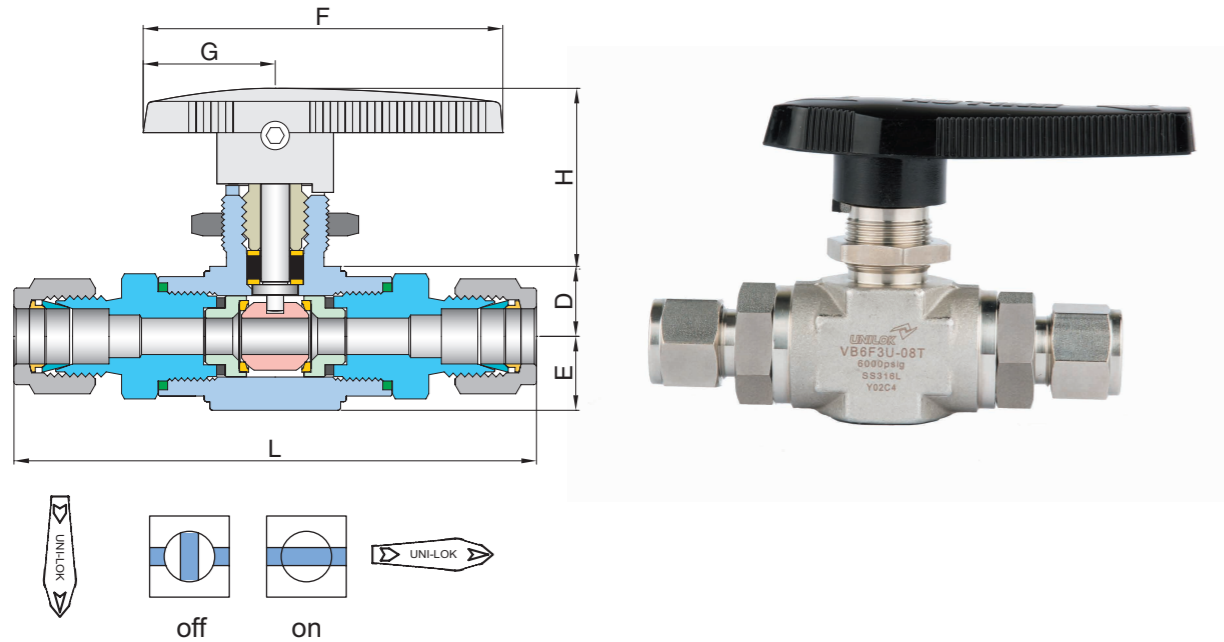
Metric Tube O.D. Designation						
Tube O.D.	mm	3	6	8	10	12
Designator		M03T	M06T	M8T	M10T	M12T

Pipe Size Designation (NPT or ISO7/1-PT)				
Pipe Size	1/8	1/4	3/8	1/2
Designator	02N/R	04N/R	06N/R	08N/R

Seat Materials	
None	PCTFE
PK	PEEK

VB6F series

(2 Way, Shut-Off Both UNILOK Tube Fittings or Both Female or Male Threads)



Ordering Information & Dimensions

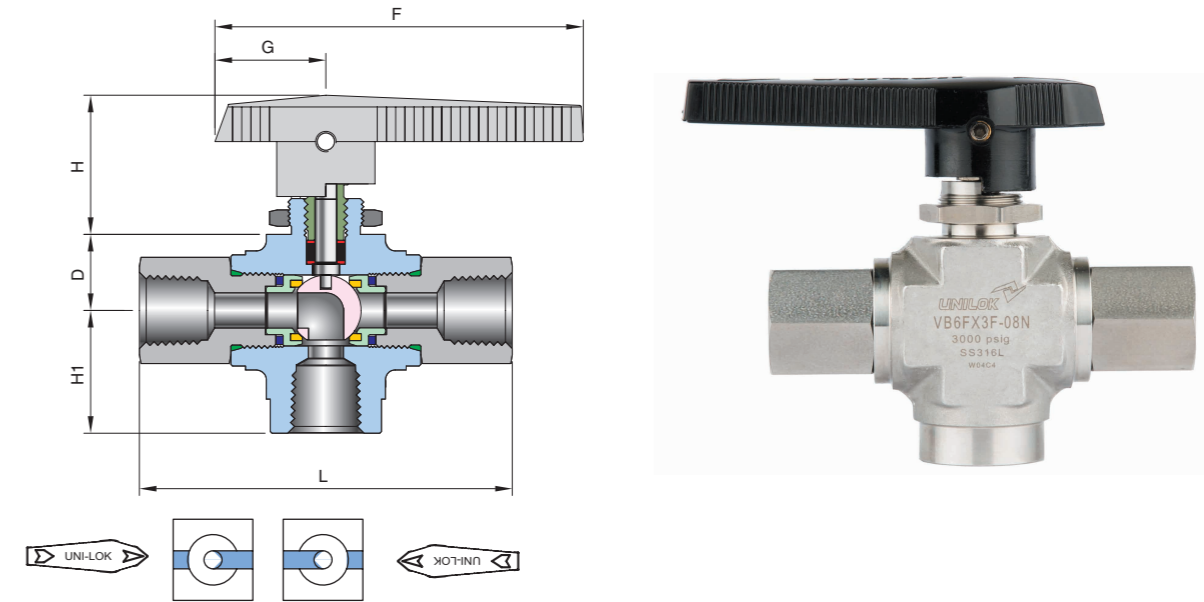
Part Number	End Connections		Orifice	CV	Dimensions (mm)						Panel Hole Drill Size
	Inlet	Outlet			L	E	D	H	F	G	
VB6F1	U-04T-	1/4" UNILOK	4.2	0.93	75.2	9.5	8.4	23.2	46.0	17.4	14.7
	F-02N-	1/8" Female NPT			54.4						
	M-04N-	1/4" Male NPT			68.6						
VB6F2	U-04T-	1/4" UNILOK	6.4	2.34	88.7	13.0	12.3	31.8	63.2	23.2	19.6
	U-06T-	3/8" UNILOK			91.4						
	U-M06T-	6mm UNILOK			88.7						
	U-M08T-	8mm UNILOK			91.0						
	U-M10T-	10mm UNILOK			93.0						
	F-04N-	1/4" Female NPT			77.0						
	M-04N-	1/4" Male NPT			82.2						
	M-06N-	3/8" Male NPT			82.2						
VB6F3	U-08T-	1/2" UNILOK	10.3	6.42	118.8	18.5	17.0	46.1	108.0	32.5	22.9
	U-12T-	3/4" UNILOK			118.4						
	U-M12T-	12mm UNILOK	118.8								
	F-06N-	3/8" Female NPT	98.9								
	F-08N-	3/8" Female NPT	109.2								
	M-08N-	1/2" Male NPT	112.8								

ISO7/1 Tapered Threads (PT) are available for all fractional sizes of VB6F series valves. Add "R" as a suffix instead of "N".

Dimensions are for reference only and are subject to change without prior notice.

VB6FX series

(3 Way, Switching UNILOK Tube Fittings or Female or Male Threads)



Ordering Information & Dimensions

Part Number	End Connections		Orifice	CV	Dimensions (mm)						Panel Hole Drill Size
	Inlet	Outlet			L	H1	D	H	F	G	
VB6FX1	U-04T-	1/4" UNILOK	4.2	0.93	75.2	37.2	8.4	23.2	46.0	17.4	14.7
	F-02N-	1/8" Female NPT			54.4	29.9					
	M-04N-	1/4" Male NPT			68.6	29.9					
VB6FX2	U-04T-	1/4" UNILOK	6.4	2.34	88.7	40.3	12.3	31.8	63.2	23.2	19.6
	U-06T-	3/8" UNILOK			91.4	40.3					
	U-M06T-	6mm UNILOK			88.7	40.4					
	U-M08T-	8mm UNILOK			91.0	40.5					
	U-M10T-	10mm UNILOK			93.0	40.6					
	F-04N-	1/4" Female NPT			77.0	33.0					
	M-04N-	1/4" Male NPT			82.2	33.0					
	M-06N-	3/8" Male NPT			82.2	33.0					
VB6FX3	U-08T-	1/2" UNILOK	10.3	6.42	118.8	57.1	17.0	46.1	108.0	32.5	22.9
	U-12T-	3/4" UNILOK			118.4	57.1					
	U-M12T-	12mm UNILOK	118.8	57.1							
	F-06N-	3/8" Female NPT	98.9	47.0							
	F-08N-	1/2" Female NPT	109.2	47.0							
	M-08N-	1/2" Male NPT	112.8	47.0							

ISO7/1 Tapered Threads (PT) are available for all fractional sizes of VB6FX series valves. Add "R" as a suffix instead of "N".

Dimensions are for reference only and are subject to change without prior notice.

Pressure - Temperature Ratings

Valve Group	Sealing Materials			Pressure Rating	Temperature Rating
	Seat	Stem Packing	End Seal		
2 Way					
VB6F1	PCTFE	PTFE	PTFE	6000psig(413bar)	-22°F~355°F (-30°C~180°C)
VB6F2	PEEK				
VB6F3				6000psig(413bar)	-65°F~446°F (-54°C~230°C)
3 Way					
VB6FX1	PCTFE	PTFE	PTFE	4000psig(275bar)	-22°F~355°F (-30°C~180°C)
	PEEK			6000psig(413bar)	-65°F~446°F (-54°C~230°C)
VB6FX2	PCTFE	PTFE	PTFE	3000psig(206bar)	-9°F~320°F (-23°C~160°C)
VB6FX3	PEEK			4000psig(275bar)	-54°F~410°F (-35°C~210°C)

Flow Rates

Pressure Drop(Δp) to Atmosphere in psig		Cv													
		0.06	0.18	0.21	0.26	0.63	0.7	0.87	0.93	1.04	2.34	3.46	3.62	5.57	6.42
Air @70°F(21°C) SCFM	10	5.9	17.7	20.7	25.6	62.0	68.9	85.6	91.5	102.4	230.3	340.6	356.3	548.2	631.9
	50	13.2	39.6	46.2	57.2	138.7	154.1	191.5	204.7	228.9	515.0	761.5	796.7	1225.9	1413.0
	100	18.7	56.0	65.4	80.9	196.1	217.9	270.8	289.5	323.7	728.3	1077.0	1126.8	1733.7	1998.3
Water @60°F(16°C) US GPM	10	0.2	0.6	0.7	0.8	2.0	2.2	2.8	2.9	3.3	7.4	10.9	11.5	17.6	20.3
	50	0.4	1.3	1.5	1.8	4.5	4.9	6.2	6.6	7.4	16.5	24.5	25.6	39.4	45.4
	100	0.6	1.8	2.1	2.6	6.3	7.0	8.7	9.3	10.4	23.4	34.6	36.2	55.7	64.2

Flow rate calculated with 1000psig(69bar) inlet pressure.
 To determine m3/hr, multiply SCFM by 1.69 and US GPM by 0.227.
 SCFM : Standard Cubic Feet per Minute. US GPM : Gallons Per Minute

INSTRUMENT

High Pressure Bar Stock Ball Valves VB6B



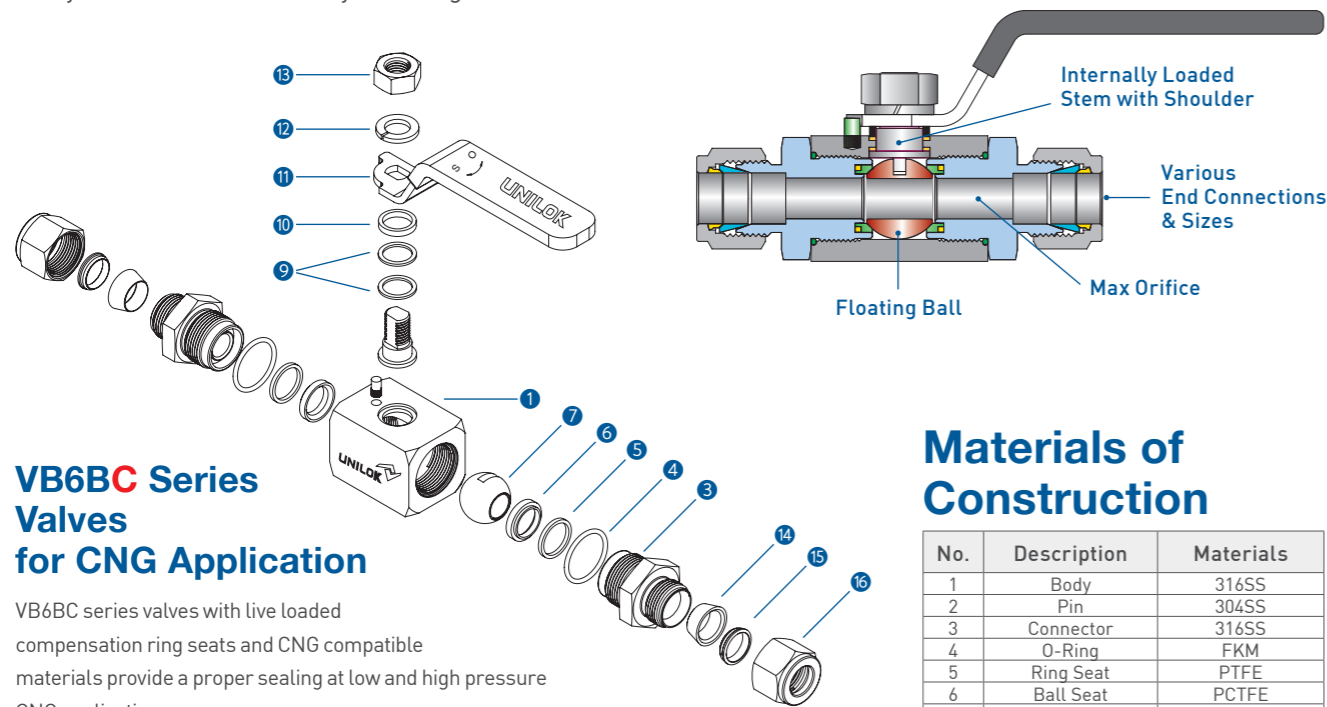
High Pressure Bar Stock Ball Valves VB6B

CONTENTS

Features	142	How To Order	143
Materials of Construction	142	VB6B series	144
CNG Application	142	VB6BX series	145
Application	143	Pressure-Temperature Ratings	146
Testing	143	Valve Actuation Torque	146
Cleaning	143	Panel Mounting	146
Important Notification	143		

Features

- Pressure rating up to 6000psig (413bar) @21°C(70) with standard PCTFE seats
- 10000psig (689bar) @21°C(70°F) with optional PEEK seats for CNG application
- Temperature rating from -30°C(-22°F) to 180°C (355°F) with standard PCTFE seats
- Robust body for high pressure application
- Floating ball design ensures leak proof shut-off at high pressure
- Blow-out proof design with internally loaded ball stem with shoulder
- Lever handle with PVC coat allows easy and quick operation with low torque and 1/4 turn to open and close
- Max orifice minimizes the pressure drop Panel mounting is available as optional
- 2 way shut off valves and 3 way switching valves are available



VB6BC Series Valves for CNG Application

VB6BC series valves with live loaded compensation ring seats and CNG compatible materials provide a proper sealing at low and high pressure CNG application. The CNG compatible materials listed in red are standard materials for VB6BC series valves.

⑥ PEEK : Ball Seats ⑤ PCTFE : Ring Seats ④ H-NBR : O-rings

To order, add **C** next to valve series number.

Example : VB6BC2U-12T-SS.

Materials of Construction

No.	Description	Materials
1	Body	316SS
2	Pin	304SS
3	Connector	316SS
4	O-Ring	FKM
5	Ring Seat	PTFE
6	Ball Seat	PCTFE
7	Ball	316SS
8	Stem	316SS
9	Packing	PTFE
10	Bushing	316SS
11	Handle	304SS+PVC
12	Spring Washer	304SS
13	Nut	304SS
14	Front Ferrule	316SS
15	Back Ferrule	316SS
16	Nut	316SS

Application

Internally live loaded ball stem to ensure sealing at low and high pressure CNG application .

PEEK and PCTFE seats are compatible with CNG

VB6B series valves are requiring in a wide range onshore and offshore applications to offer a safe and reliable perform.

Sour Environment Services

UNILOK valves are comply with NACE MR-0175/ISO 15156 for sour oilfield application or NACE MR-0103 for petroleum refining operations. To order, add-N to the end of part number.

Testing

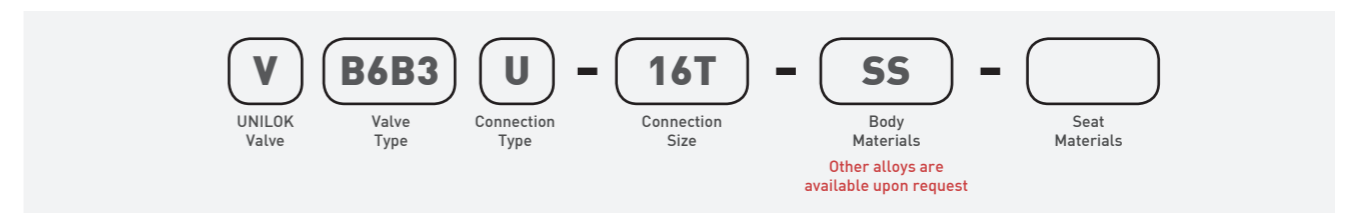
Every valve is 100% factory tested with air and nitrogen at 1000psig(69bar) for leakage at the seat and packing. Each test is performed to a maximum allowable leak rate of 0.1scc/min.

Hydrostatic shell test to be performed at 1.5 time of the working pressure is available as optional.

How To Order

UNILOK VB6B series ball valves are ordered by part number as shown below.

Example: The following part number, **VB6B3U-16T-SS** is designated for VB6B series ball valve with both 1" UNILOK tube fitting, 316SS, PCTFE seat.



Valve Type	
B6B	2 Way Type
B6BC	2 Way Type, CNG Application
B6BX	3 Way Type

Connection Type	
U	UNILOK Tube Fitting
F	Female NPT or ISO7/1(PT)
M	Male NPT or ISO7/1(PT)

Connection Size						
Fractional(Inch) Tube O.D. Designation						
Tube O.D.	inch	1/4	3/8	1/2	3/4	1
	mm	6.35	9.52	12.70	19.05	25.40
Designator		04T	06T	08T	12T	16T

Pipe Size Designation (NPT or ISO7/1-PT)						
Pipe Size	1/4	3/8	1/2	3/4	1	
Designator	04N/R	06N/R	08N/R	12N/R	16N/R	

Seat Materials	
None	PCTFE
PK	PEEK

Cleaning

UNILOK valves are free from machine oils, loose particles and grease throughout the close cleaning process.

Important Notification

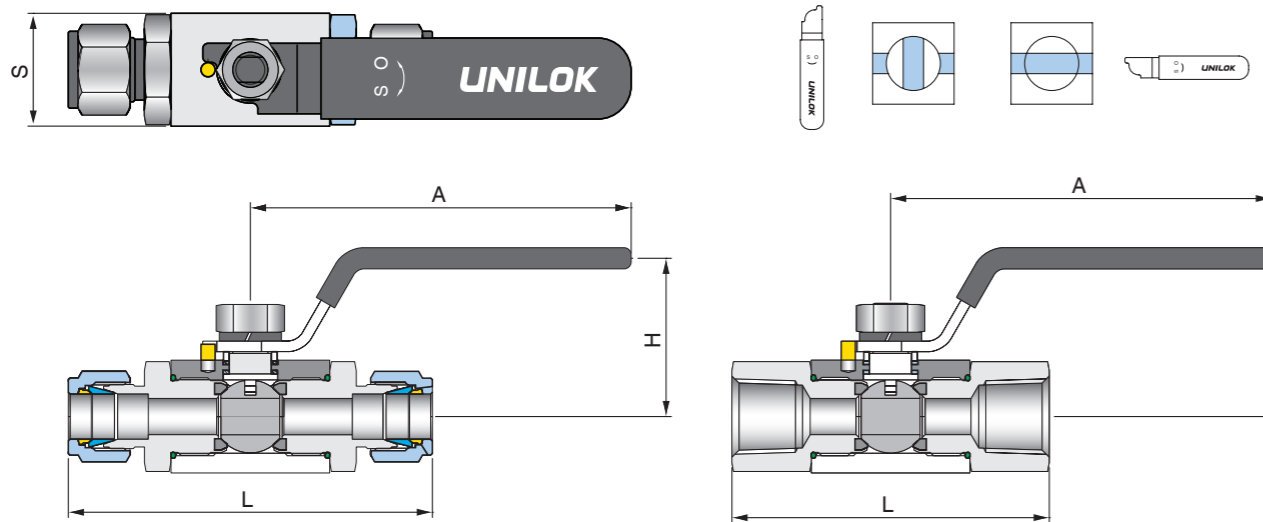
UNILOK ball valves are designed to be operated in a fully open or fully closed position.

The packing adjustment may be required during the valve's service life.

Proper installation, materials compatibility, operation and maintenance of these valves are the responsibility of the user. The total system design must be taken into consideration to ensure optimal performance and safety.

VB6B series

(2 Way, Shut-Off Both UNILOK Tube Fittings or Both Female or Male Threads)



Ordering Information & Dimensions

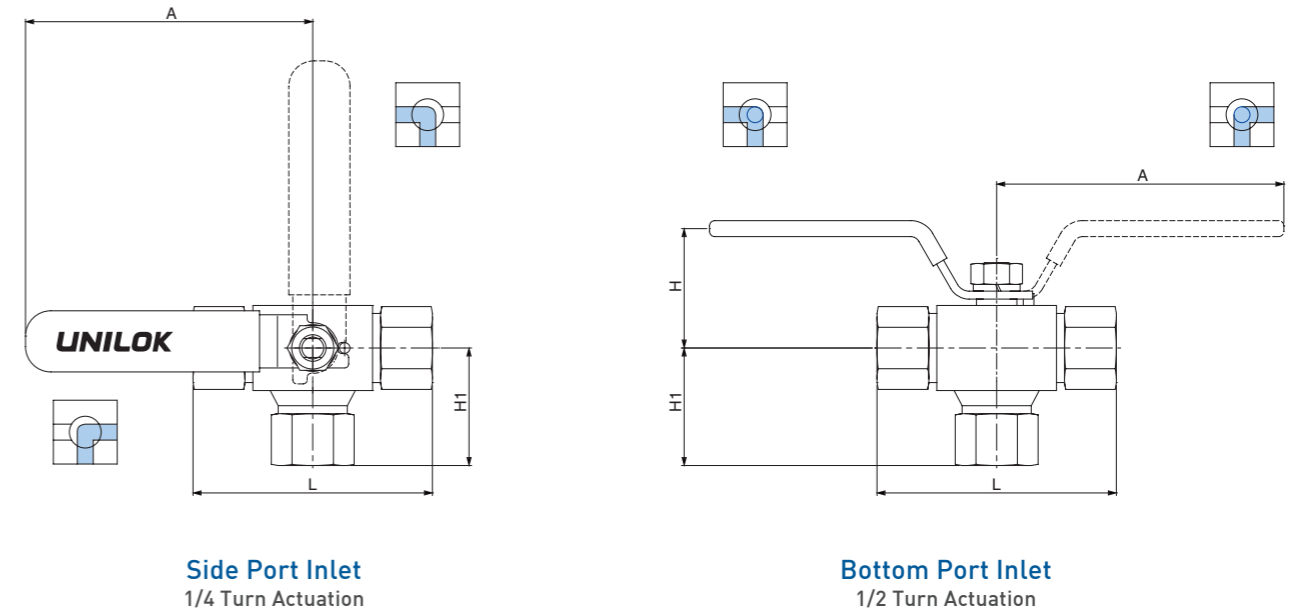
Part No.	End Connections		Orifice	CV	Dimensions (mm)					
	Inlet	Outlet			L	S	H	A		
VB6B1	U-04T-	1/4" UNILOK	4.8	1.2	92.0	32.0	45.0	108.0		
	U-06T-	3/8" UNILOK	7.1	3.7	95.0					
	U-08T-	1/2" UNILOK			103.0					
	F-04N-	1/4" Female NPT	10.0	7.5	70.0					
	F-06N-	3/8" Female NPT			75.0					
	F-08N-	1/2" Female NPT			90.0					
	M-04N-	1/4" Male NPT	7.1	3.7	85.0					
	M-06N-	3/8" Male NPT	9.7	7.2	85.0					
	M-08N-	1/2" Male NPT	10.0	7.5	85.0					
VB6B2	U-12T-	3/4" UNILOK	12.7	10.0	110.6	40.0	55.0	148.0		
	F-08N-	1/2" Female NPT			90.0					
	F-12N-	3/4" Female NPT			98.0					
	M-12N-	3/4" Male NPT			105.0					
VB6B3	U-12T-	3/4" UNILOK	19.0	30.0	118.6	50.0	60.0	148.0		
	U-16T-	1" UNILOK			127.5					
	F-12N-	3/4" Female NPT			15.8				19.0	95.0
	F-16N-	1" Female NPT			19.0				30.0	106.0
	M-12N-	3/4" Male NPT			15.8				19.0	115.0
	M-16N-	1" Male NPT			19.0				30.0	125.0

ISO7/1 Tapered Threads (PT) are available for all fractional sizes of VB6B series valves. Add "R" as a suffix instead of "N".

Dimensions are for reference only and are subject to change without prior notice.

VB6BX series

(3 Way, Switching UNILOK Tube Fittings or Female or Male Threads)



Ordering Information & Dimensions

Part No.	End Connections		Orifice	Dimensions (mm)				
	Inlet	Outlet		L	S	H	H ₁	A
VB6BxB1	U-04T-	1/4" UNILOK	4.8	92.0	32.0	44.9	53.5	108.0
	U-06T-	3/8" UNILOK	7.1	95.0			55.0	
	U-08T-	1/2" UNILOK		106.0			57.5	
	F-04N-	1/4" Female NPT	10.0	72.0			36.7	
	F-06N-	3/8" Female NPT		75.0			40.2	
	F-08N-	1/2" Female NPT		89.0			44.2	
	F-12N-	3/4" Female NPT		102.0			55.2	
VB6BxB2	U-12T-	3/4" UNILOK	12.7	115.0	40.0	55.0	65.5	148.0
	F-08N-	1/2" Female NPT		93.0			49.7	
VB6BxB3	F-12N-	3/4" Female NPT	15.8	102.0	50.0	60.0	55.2	148.0
	U-12T-	3/4" UNILOK		115.0			65.5	
	U-16T-	1" UNILOK		134.0			76.6	
	F-12N-	3/4" Female NPT		20.0			119.0	
F-16N-	1" Female NPT		129.0	60.8				

Female ISO7/1 Tapered Threads (PT) are available for all fractional sizes of VB6BX series valves. Add "R" as a suffix instead of "N".

Bottom and Side Port Entry Valve Ordering Information

To order side port entry valve, replace B with S

Examples : VB6BxB1U-04T-SS, VB6BXS1U-04T-SS

Dimensions are for reference only and are subject to change without prior notice.

Pressure-Temperature Ratings

Valve Group	Sealing Materials			Pressure Rating	Temperature Rating
	Seat	Stem Packing	End Seal		
2 Way					
VB6B1	PCTFE	PTFE	FKM	6000psig(413bar)	-22°F~-320°F (-30°C~160°C)
	PEEK			10000psig(689bar)	-40°F~-446°F (-40°C~230°C)
VB6B2 VB6B3	PCTFE	PTFE	FKM	5000psig(344bar)	-10°F~-320°F (-23°C~160°C)
	PEEK			6000psig(413bar)	-10°F~-376°F (-23°C~191°C)
3 Way					
VB6BX1	PCTFE	PTFE	FKM	4000psig(275bar)	-22°F~-320°F (-30°C~160°C)
	PEEK			6000psig(413bar)	-40°F~-446°F (-40°C~230°C)
VB6BX2 VB6BX3	PCTFE	PTFE	FKM	3000psig(206bar)	-10°F~-320°F (-23°C~160°C)
	PEEK			4000psig(275bar)	-10°F~-376°F (-23°C~191°C)

Valve Actuation Torque

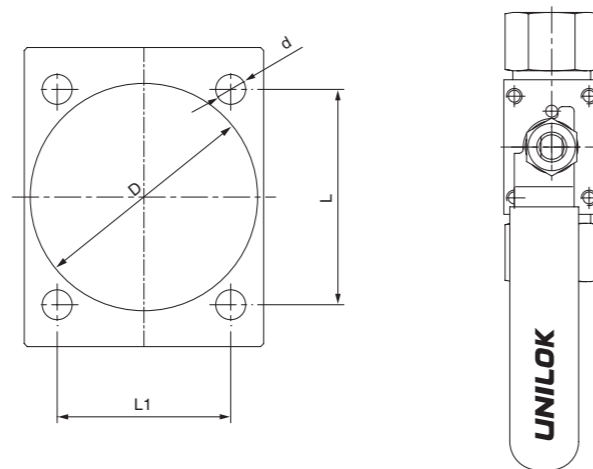
Valve Group	Pressure (psig)		
	0	5000	6000
Way	Torque (Nm)		
VB6B1	3.92	-	6.37
VB6B2	7.35	10.30	-
VB6B3	12.26	19.61	-
	0	3000	4000
3 Way	Torque (Nm)		
VB6BX1	3.92	-	4.90
VB6BX2	7.35	7.85	-

Panel Mounting

Screw hole panel mounting is available with four screw holes on the top of VB6B series valves, M4 x 6mm depth.

To order, add -M to end of part number.

Disassemble the handle before panel mounting.



Valve Group	Dimensions(mm)			
	L	L ₁	d	D
VB6B1	34	25	5	30
VB6B2	36	29	5	38
VB6B3	40	35	5	38

Best Engineering For You