

# Industrial Process Pressure Gauges (301P Series)

## Applications

- Corrosion resistance
- Chemical & petrochemical
- Power generation
- Pumps, compressors and regulators
- Refining & marine industry
- Sea water application (Only monel)

## Pressure Limitation

- Steady : 3/4 of full scale value  
(recommendation : 25% to 75% of full scale)
- Fluctuating : 2/3 of full scale value  
(recommendation : lower 50% of full scale)
- Short time : 130% of full scale value (over range protection)

## Operating Temperature

- Ambient : -20 ~ 65°C
- Media (Fluid) : -20 ~ 80°C



## Special Notes

1. Other Process Connections are available as option.

## Standard Specification Overview

### Dial Size

- 60mm (2.5"), 75mm (3")

### Reference Accuracy

- 60mm, 75mm :  $\pm 1.5\%$  of Full Scale

### Scale Ranges

- 60mm, 75mm : Vacuum & Compound 0 ~ 0.1 to 0 ~ 35 MPa
- \* For more information, see the ordering information table.

### Standard Process Connection

- 60mm : PT ("R" in ISO) 1/4"
- 75mm : PT ("R" in ISO) 3/8"
- \* No throttling screw inserted in the pressure port.

### Ring Type

- Crimped (60mm)
- Bayonet (75mm)

### Material

- Case : 304 SS with pressure relief on top
- Ring (Cover) : 304 SS
- Window : Safety Glass
- Pointer : Aluminum Alloy, Black Finished
- Connection : 316 SS
- Element (Bourdon Tube) : 316 SS
- Movement : Stainless steel
- Dial Plate : White Aluminum with Black Graduations

### Degree of Protection

- IP 67

### Optional Extra

- Test Report by Manufacturer
- Test Report by KOLAS (ILAC-MRA)
- Laminated Safety Glass
- 316 SS Connection Part
- Cleaning Service (USE NO OIL)
- Supersonic Cleansing Service
- Throttling Screw (Restricting Orifice)
- Protection Cover (Polycarbonate)

## Ordering Information for 301P Series

● = Standard Products   ▲ = Available   NA = Not Available

Model	Description	Case & Ring	Wetted Parts	
301P	Industrial Process Pressure Gauges	304 SS	316 SS	
<b>Code</b>	<b>Dial Size</b>	<b>Accuracy</b>	<b>301P</b>	
25	60mm (2.5")	± 1.5% of F.S.	●	
30	75mm (3")	± 1.5% of F.S.	●	
<b>Code</b>	<b>Mounting Type</b>		<b>All</b>	
A	Bottom Connection without Mounting Flange		●	
B	Bottom Connection with Back Mounting Flange		●	
L	Lower Back Connection without Mounting Flange		●	
J	Lower Back Connection with 3-hole Front Mounting Flange		●	
U	Lower Back Connection with "U" Clamp Mounting Bracket		●	
<b>Code</b>	<b>Process Connection Style</b>		<b>All</b>	
2	PT ("R" in ISO Standard)		●	
3	PF ("G" in ISO Standard)		▲	
4	NPT		▲	
5	UNF		▲	
X	Others		▲	
<b>Code</b>	<b>Process Connection Size</b>		<b>25</b>	<b>30</b>
C	1/4"		●	▲
D	3/8"		NA	●
M	7/16"		▲	▲
<b>Code</b>	<b>Pressure Range</b>		<b>25</b>	<b>30</b>
001	-0.1 ~ 0 MPa		●	●
002	-0.1 ~ 0.1 MPa		●	●
003	-0.1 ~ 0.2 MPa		●	●
004	-0.1 ~ 0.3 MPa		●	●
005	-0.1 ~ 0.4 MPa		●	●
006	-0.1 ~ 0.6 MPa		●	●
007	-0.1 ~ 1.0 MPa		●	●
008	-0.1 ~ 1.5 MPa		●	●
009	-0.1 ~ 2.0 MPa		●	●
112	0 ~ 0.1 MPa		●	●
113	0 ~ 0.2 MPa		●	●
114	0 ~ 0.3 MPa		●	●
115	0 ~ 0.4 MPa		●	●
116	0 ~ 0.6 MPa		●	●
118	0 ~ 1 MPa		●	●
119	0 ~ 1.5 MPa		●	●
120	0 ~ 2 MPa		●	●

121	0 ~ 2.5 MPa	●	●
122	0 ~ 3.5 MPa	●	●
124	0 ~ 5 MPa	●	●
126	0 ~ 7 MPa	●	●
127	0 ~ 10 MPa	●	●
128	0 ~ 15 MPa	●	●
129	0 ~ 25 MPa	●	●
130	0 ~ 35 MPa	●	●

\* MPa (SI Unit) is the standard dial scale but others are available upon request.

Code	Applicable Accessory Options
J0	Not Apply
J1	Adapter
J2	Gauge Unions
J3	Syphon Tubes
J4	Pulsation Dampeners
J5	Pressure Snubber
J7	Gauge Savers (Gauge Protectors)
J8	Safety Kloser
J9	Manifold Valves

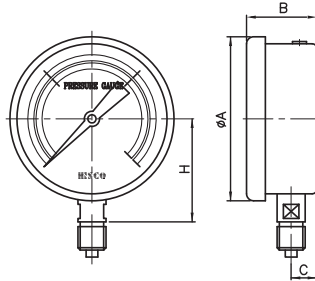
Code	Options	25	30
Test Reports			
T1	Test Report by Manufacturer	▲	▲
T2	Test Report by KOLAS (ILAC-MRA)	▲	▲
Material Option			
W1	Laminated Safety Glass	▲	▲
S7	316L SS Connection Part	▲	▲
Other Option			
C1	Cleaning Service (USE NO OIL)	▲	▲
C2	Supersonic Cleansing Service	▲	▲
R1	Throttling Screw (Restriction Orifice)	▲	▲

Sample Model Selection : 301P30A2F118J0T1

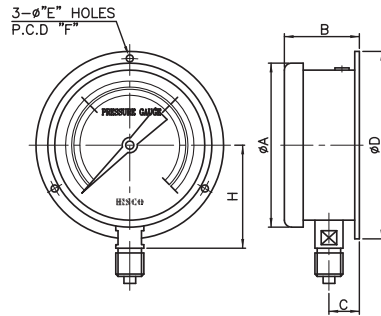
\* The standard specification and price are subject to change without prior notice.

# Industrial Process Pressure Gauges (301P Series)

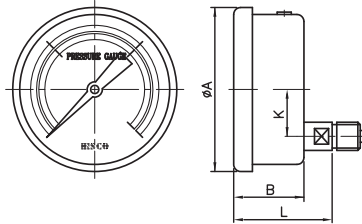
TYPE-A



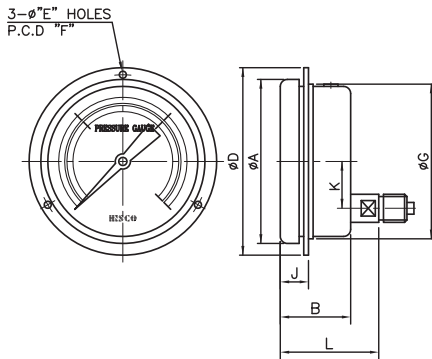
TYPE-B



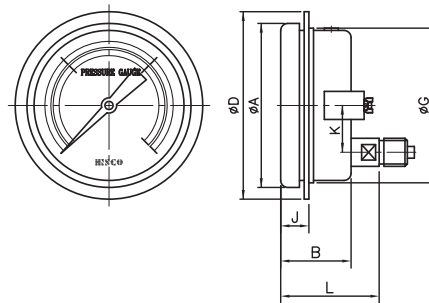
TYPE-L



TYPE-J



TYPE-U



[UNIT : mm]

Code	Dial Size	(Available Type)	A	B	C	D	E	F	G	H	J	L	K
25	$\phi 60$	A,B,[L,J],[U]	69	42[40]	14	90 [86]	4.5	77	65	51	9	55	20
30	$\phi 75$	A,B,[L,J,U]	87	43[41]	16	105	5.5	91.6	79	56.5	15	60	27

**HISCO** HISCO, INC.

32, Seonyu-ro 43-gil, Yeongdeungpo-gu, Seoul, Korea  
 T : 82-2-2677-6046 F : 82-2-2672-1873 <http://www.hiscoi.com>