

# FR-IIS-OP Series

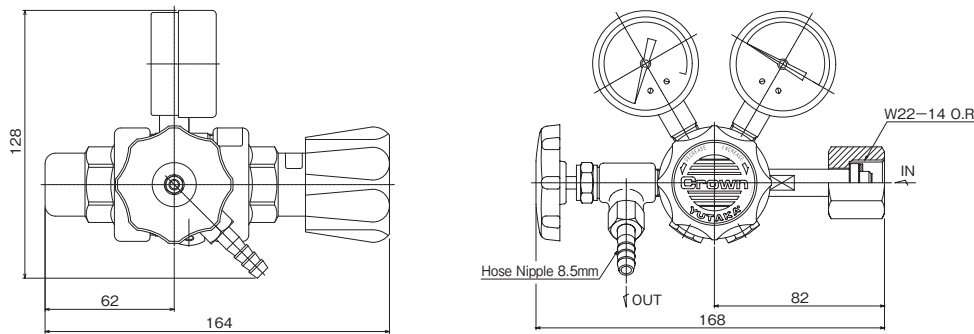
## For Cylinder Two-Stage Pressure Regulator

### Specifications

Inlet Pressure Gauge	25 MPa	Inlet Connection	W22-14 O.R.
Outlet Pressure Gauge	0.1, 0.3, 0.6, 1 MPa	Outlet Connection	Hose Nipple 8.5 mm
Inlet Pressure	14.8 MPa or less	Accessories	Gasket Packing(Fiber)×2 Pcs.
Outlet Pressure	0~0.6MPa	Approximate Weight	1.9 kg

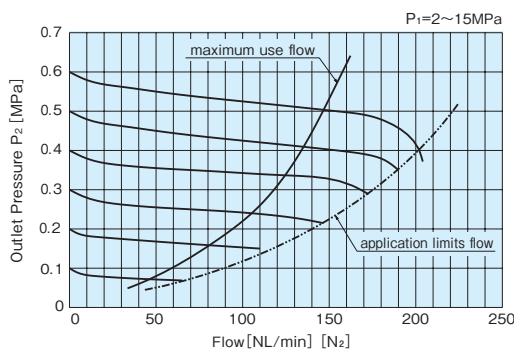


### Outline drawing



[Note]  
 ■ Unit: mm  
 ■ Dimensions are subject to change without notice.

### Flow characteristics



[Note]  
 ■ These tests were performed at ambient conditions

### Materials of construction

Body	C3604 BD
Bonnet	ZDC
Poppet	C3604 BD
Seat	NBR
Diaphragm	NBR
Safety valve seat	NBR

### List of specifications

Series	Inlet Pressure Gauge MPa	Outlet Pressure Gauge MPa	Inlet Connection	Outlet Connection
FR-IIS-OP	25	0.1	W22 (R)	Hose Nipple 8.5 mm
	25	0.3	W22 (R)	Hose Nipple 8.5 mm
	25	0.6	W22 (R)	Hose Nipple 8.5 mm
	25	1	W22 (R)	Hose Nipple 8.5 mm
	25	0.3	W22 (L)	Hose Nipple 8.5 mm
	25	0.6	W22 (L)	Hose Nipple 8.5 mm
	25	1	W22 (L)	Hose Nipple 8.5 mm
	25	0.6	W21 (L)	Hose Nipple 8.5 mm

General industrial use

Flowmeter

Gas Mixer

Medical use