

FR-III L Series

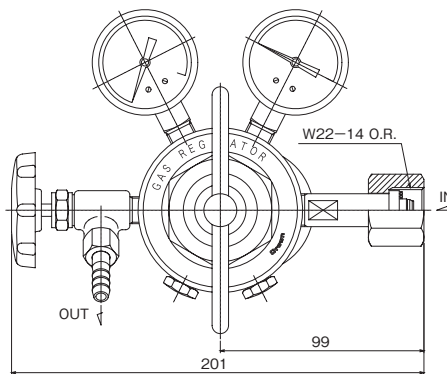
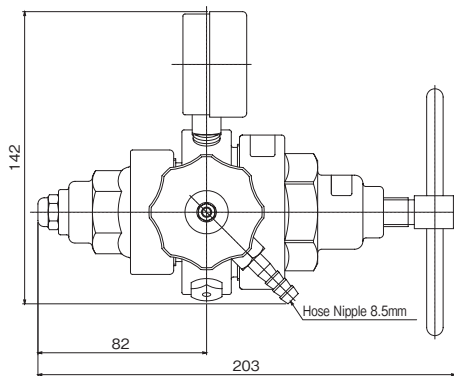
For Cylinder, Medium Flow Two-Stage Pressure Regulator

Specifications

Inlet Pressure Gauge	25MPa	Inlet Connection	W22-14 O.R.
Outlet Pressure Gauge	0.6MPa	Outlet Connection	Hose Nipple 8.5mm
Inlet Pressure	14.8MPa or less	Accessories	Gasket Packing(Fiber)×2Pcs.
Outlet Pressure	0 ~ 0.6MPa	Approximate Weight	2.4kg

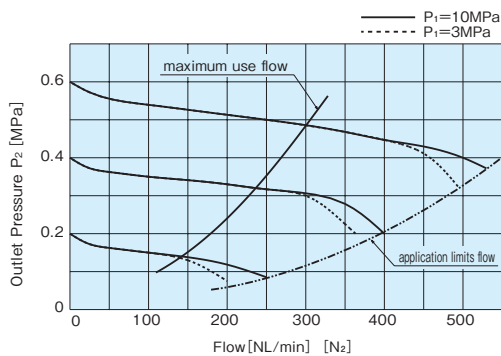


Outline drawing



[Note]
■ Unit: mm
■ Dimensions are subject to change without notice.

Flow characteristics



Materials of construction

Body	C3771 BE
Bonnet	C3771 BE
Poppet	C3604 BD
Inlet Pressure Seat	PCTFE
Outlet Pressure Seat	NBR
Diaphragm	NBR
Safety valve seat	CR

[Note]
■ These tests were performed at ambient conditions.

List of specifications

Series	Inlet Pressure Gauge MPa	Outlet Pressure Gauge MPa	Inlet Connection	Outlet Connection
FR-III L	25	0.3	W22 (R)	Hose Nipple 8.5 mm
	25	0.6	W22 (R)	Hose Nipple 8.5 mm
	25	1	W22 (R)	Hose Nipple 8.5 mm
	25	0.3	W22 (L)	Hose Nipple 8.5 mm
	25	0.6	W22 (L)	Hose Nipple 8.5 mm
	25	1	W22 (L)	Hose Nipple 8.5 mm

General industrial use

Flowmeter

Gas Mixer

Medical use