

FR4L Series

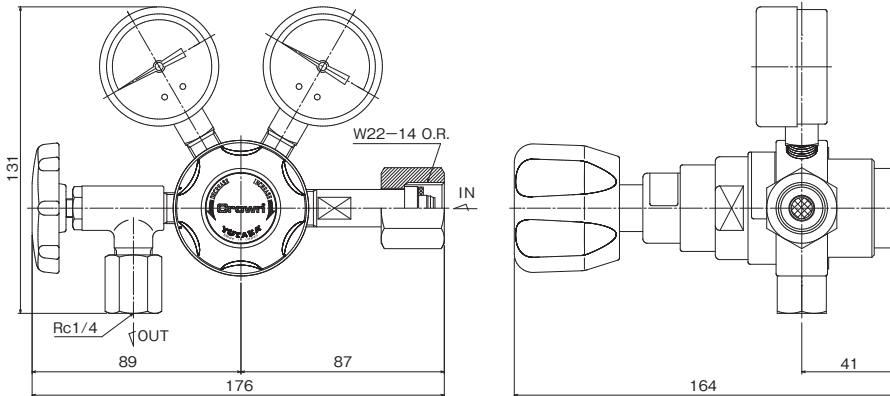
For Cylinder, High Pressure Regulator

Specifications

Inlet Pressure Gauge	25MPa	Inlet Connection	W22-14 O.R.
Outlet Pressure Gauge	25MPa	Outlet Connection	Rc1/4
Inlet Pressure	14.8MPa or less	Accessories	Gasket Packing(Nylon)×2Pcs.
Outlet Pressure	0 ~ 14.8MPa	Approximate Weight	3.1kg

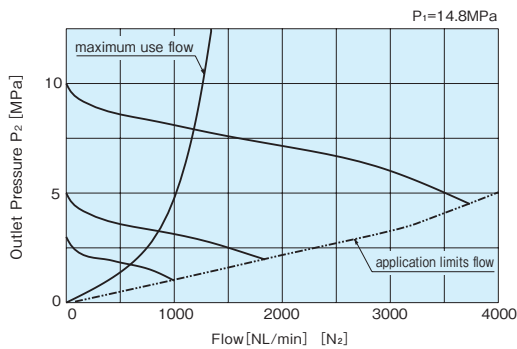


Outline drawing



[Note]
 ■ Unit : mm
 ■ Dimensions are subject to change without notice.

Flow characteristics



Materials of construction

Body	C3604 BD
Bonnet	C3604 BD
Poppet	C3604 BD
Seat	PCTFE

[Note]
 ■ These tests were performed at ambient conditions.

List of specifications

Series	Inlet Pressure Gauge MPa	Outlet Pressure Gauge MPa	Inlet Connection	Outlet Connection
FR4L	25	10	W22 (R)	Rc1/4
	25	16	W22 (R)	Rc1/4
	25	25	W22 (R)	Rc1/4
	25	10	W22 (R)	W22-14 O.R.Male
	25	16	W22 (R)	W22-14 O.R.Male
	25	25	W22 (R)	W22-14 O.R.Male