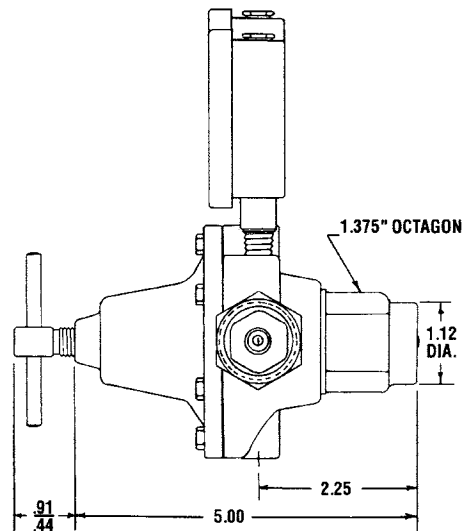
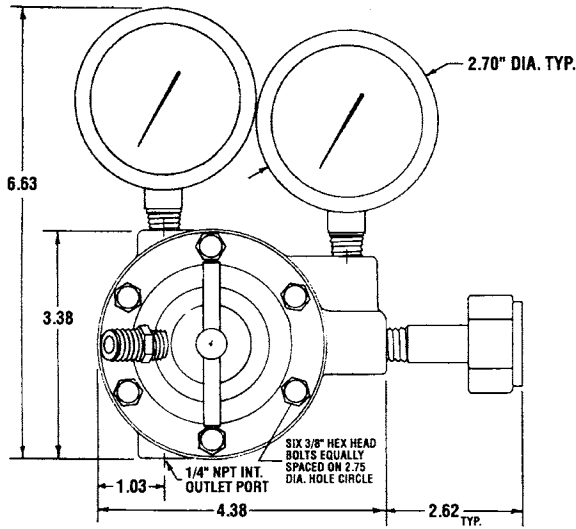
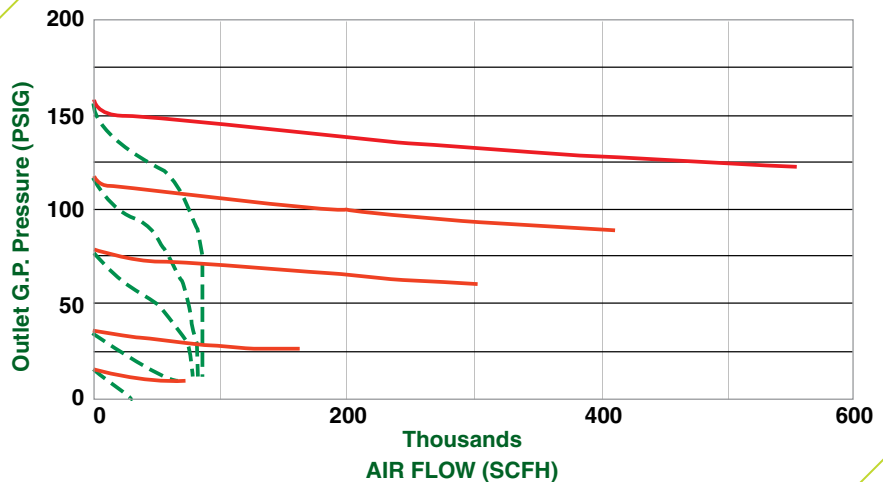


## CRS100 Corrosion Resistant Electroless Nickel Plated Brass Regulator

CRS100 regulators are recommended for high purity, highly corrosive gas applications with restricted space requirements.



† Inlet pressure  
(Nitrogen @ 70°F)  
2000 psig ———  
250 psig - - - - -



• Tested with outlet valve full open and outlet pressure taken at regulator L.P. gauge port.

# CRS100

## Corrosion Resistant Electroless Nickel Plated Brass Regulator

### CRS100 SERIES

FEATURES
<b>Durable for Corrosive Gas</b>
Captured vent allows for remote venting of gas
Electroless nickel-plated brass body and sintered bronze filter
Teflon lined stainless steel diaphragm
Monel nozzle
<b>Precision High Purity Performance</b>
Yoke connects diaphragm and seat block for instant response
<b>Quality Components</b>
2.5" Stainless steel / Monel gauge
<b>Installation Flexibility</b>
Multi-seat design with rotatable seat block
Small size to meet space requirements
<b>Options</b>
Diffusion resistant, packless diaphragm shut-off valve
Outlet valve with Monel body, stem, tip and Teflon packing

MATERIALS	
Body	Electroless Nickel-Plated Brass
Spring housing cap	Electroless Nickel-Plated Brass
Diaphragm	Teflon lined 316L Stainless Steel
Nozzle	Monel
Seat	PCTFE
Seals	Viton
Filter	Electroless Nickel-Plated Sintered Bronze

SPECIFICATION	
Maximum inlet pressure	3000 psig (crs100) 1000 psig (crs110)
Valve outlet	1/4" MNPT
Temperature operating range	-20 to 160°F (-28 to 60°C)
Helium leak integrity	1 x 10 <sup>-6</sup> scc/sec
Outlet pressure ranges	0-80 psig 0-160 psig

TYPICAL APPLICATIONS
High-purity, corrosive gas handling including
Boron trichloride/boron trifluoride
Carbonyl fluoride
Chlorine/chlorine trifluoride
Hydrogen bromide/hydrogen chloride/hydrogen fluoride
Nitrosyl chloride
Phosphorous pentafluoride
Silicon tetrafluoride
Sulfur tetrafluoride

### MODEL NO. SELECTOR GUIDE

## CRS100 SERIES MODEL NUMBER SYSTEM

CRS100	-	XXX	-	XXX	-	XXXX	-	XXXX
LINE FORGED BRASS		OUTLET PRESSURE		INLET CONNECTION		OUTLET CONNECTION		OPTIONS
<b>CRS100</b>		<b>80</b> (2-160 psig)		<b>CGA</b>		<b>4F</b> 1/4" Female NPT		<b>00</b> Bare Body
0-4000 psig inlet gauge		<b>160</b> (10-160 psig)		330, 346, 350, 660, 705		<b>4M</b> 1/4" Male NPT		<b>03</b> Compliance Certificate
<b>CRS110</b>				<b>4F</b> 1/4" Female NPT		<b>4S</b> 1/4" Tube Fitting		
0-1000 psig inlet gauge				<b>4M</b> 1/4" Male NPT		<b>2S</b> 1/8" Tube Fitting		
				<b>4S</b> 1/4" Tube Fitting		<b>BV4M</b> Needle Valve 1/4" Male NPT		
						<b>DK4F</b> Diaphragm Valve 1/4" Female NPT		
						<b>DK4M</b> Diaphragm Valve 1/4" Male NPT		
						<b>DK4S</b> Diaphragm Valve 1/4" Tube Fitting		
						<b>DK2S</b> Diaphragm Valve 1/8" Tube Fitting		