

Resin Flow Meter

MODEL RK20T SERIES

A compact and lightweight flowmeter made of resin. Two types, one with a valve and one without a valve, are available. These meters are designed for easy reading of flow rates and suitable for air sampling equipment, medical equipment, analysis equipment, purging systems, water treatment equipment, etc.



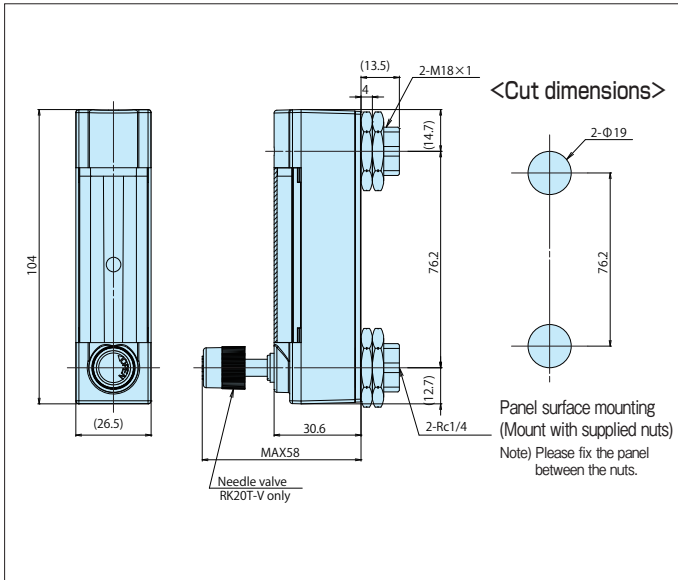
B

Flow Meter

MODEL RK20T SERIES

- Low price
- Short delivery time
- Lightweight and compact thanks to resin
- Simple and easy to read

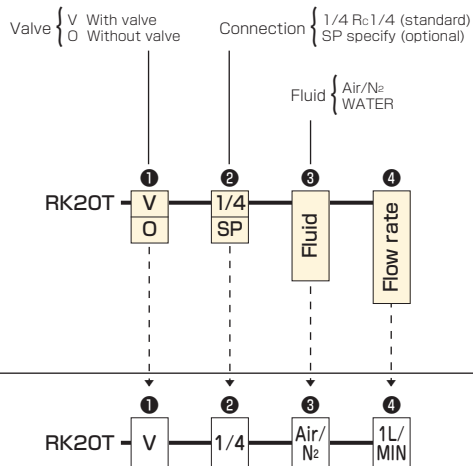
Dimensions



Standard specifications

Fluid	Air/N ₂	WATER
Flow range	0.05-0.5L/MIN	2.5-25mL/MIN
	0.15-1.0L/MIN	30-300mL/MIN
	0.5-5.0L/MIN	100-800mL/MIN
	1.0-10L/MIN	200-1600mL/MIN
	2.5-25L/MIN	500-2800mL/MIN
	5-50L/MIN	
	20-100L/MIN	
Accuracy	FS±6%	
Connection	Rc1/4	
Material	Body	ABS
	Tapered tube	Acrylic resin
	Float	Hard glass, SUS316
	Joint	SUS303
Packing	FKM	
Proof pressure	0.7MPa	
Temperature resistance	65°C	

Ordering



* Refer to "Ordering" and "Illustrative example" when placing an order or requesting a quotation. Fill in the blanks in the "Order/Quotation Request Card" at the end of the catalog, and send the card by fax.

- Note (1) If the resin part of the flowmeter body is gripped when installing a joint, the resin part may be broken. Be sure to hold the metallic part to screw in the joint.
- (2) This flowmeter is designed for simplified checking of flow. For more stable and accurate flow regulation, high grade model such as RK1250 is recommended.
- (3) Do not use this product on over 0.7MPa condition.
- (4) Do not use solenoid valve at front or back end of this product.
- (5) This product is not covered by repair.
- (6) Optional mounting panel is available. Please contact us for details.