

Test pressure gauge

Model : P229 series

Spec. sheet no. PD02-04

Service intended

P229 series are designed to be used in instrument shops, laboratories and for other critical applications where a high degree of accuracy is required.



Nominal diameter

160 mm

Accuracy

±0.5 % of full scale

Scale range (MPa, kPa, bar)

-0.1 ~ 0 to 0 ~ 0.1 to 0 ~ 200 MPa

Working pressure

Full scale value

Working temperature

Ambient : -40 ~ 65 °C

-20 ~ 65 °C (With glycerin filling)

-40 ~ 65 °C (With silicone filling)

Fluid : Max. 200 °C

Max. 100 °C (With glycerin filling)

Max. 100 °C (With silicone filling)

Degree of protection

EN60529/IEC529/IP67 (160 mm)

Temperature effect

Accuracy at temperature above and below the reference temperature (20 °C) will be effected by approximately ±0.4 % per 10 °C of full scale



Standard features

Pressure connection

Stainless steel (316SS)

Element

Stainless steel (316SS)

<10 MPa : C type bourdon tube

≥10 MPa : Helical type bourdon tube

Case

Stainless steel (304SS)

Cover

Stainless steel (304SS)

Window

Laminated safety glass

Movement

Stainless steel

Dial

White aluminium with black graduations

Pointer

Black painted aluminium alloy

Zero adjustment

Internal : Micro zero adjustable pointer

Process connection

¼", ⅜", ½" PT, NPT and PF

Certificates

Pressure equipment directive (2014/68/EU) Annex III Module H
ATEX Ex II GD c IIc TX

Option

Pressure connection and element : Monel

WISE[®]

I P229_01

1. Base model

P229 Test pressure gauge

2. Nominal diameter (mm)

6 160

3. Type of mounting

- A** Bottom connection, direct
- B** Bottom connection, surface, case mounting plate
- G** Lower back connection, direct
- L** Lower back connection, flush, case center mounting plate
- M** Lower back connection, flush, case center mounting bracket
- N** Lower back connection, flush, cover mounting plate

4. Accuracy

2 ±0.5 % of full scale

5. Process connection

- C** ¼"
- D** ⅜"
- E** ½"

6. Connection type

- B** PF
- C** PT
- D** NPT

7. Unit

- H** bar
- I** MPa
- J** kPa

8. Range

XXX Refer to pressure unit and range table

9. Pressure connection material and dial color

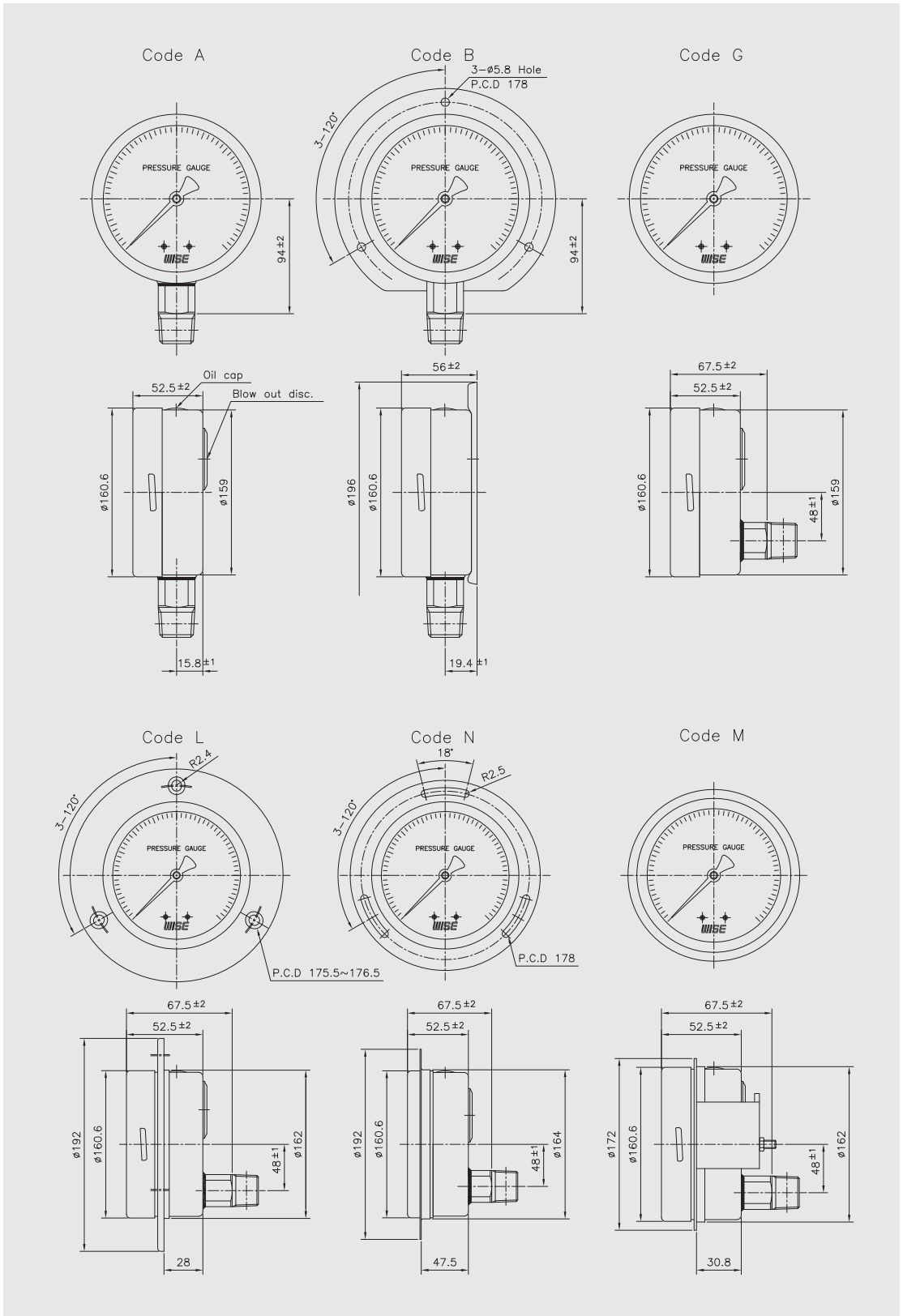
- 3** 316SS and 2 colors
- 4** 316L SS and 2 colors
- 5** Monel and 2 colors
- 7** 316SS and 3 colors

10. Option

- 0** None
- 1** Accessories
- 2** Glycerin filling
- 4** Silicone filling

| | | | | | | | | | | |
|-------------|----------|----------|----------|----------|----------|----------|------------|----------|----------|-------------------------|
| 1 | 2 | 3 | 4 | 5 | 6 | 7 | 8 | 9 | 10 | Sample ordering code |
| P229 | 6 | A | 2 | E | C | I | XXX | 3 | 0 | |

P229 : Type of mounting



Pressure unit and range table

| Range and code | Unit and code | | | Nominal diameter |
|----------------|---------------|------------|----------------|------------------|
| | H : bar | I : MPa | J : kPa | P229 |
| 026 | -1 ~ 0 | -0.1 ~ 0 | -100 ~ 0 | O |
| 041 | 0 ~ 1 | 0 ~ 0.1 | 0 ~ 100 | O |
| 133 | 0 ~ 1.6 | 0 ~ 0.16 | 1 ~ 160 | O |
| 042 | 0 ~ 2 | 0 ~ 0.2 | 0 ~ 200 | O |
| 134 | 0 ~ 2.5 | 0 ~ 0.25 | 0 ~ 250 | O |
| 043 | 0 ~ 3 | 0 ~ 0.3 | 0 ~ 300 | O |
| 044 | 0 ~ 4 | 0 ~ 0.4 | 0 ~ 400 | O |
| 045 | 0 ~ 6 | 0 ~ 0.6 | 0 ~ 600 | O |
| 047 | 0 ~ 10 | 0 ~ 1 | 0 ~ 1,000 | O |
| 050 | 0 ~ 15 | 0 ~ 1.5 | X | O |
| 143 | 0 ~ 16 | 0 ~ 1.6 | X | O |
| 051 | 0 ~ 20 | 0 ~ 2 | X | O |
| 052 | 0 ~ 25 | 0 ~ 2.5 | X | O |
| 054 | 0 ~ 35 | 0 ~ 3.5 | X | O |
| 151 | 0 ~ 40 | 0 ~ 4 | X | O |
| 055 | 0 ~ 50 | 0 ~ 5 | X | O |
| 056 | 0 ~ 60 | 0 ~ 6 | X | O |
| 057 | 0 ~ 70 | 0 ~ 7 | X | O |
| 058 | 0 ~ 100 | 0 ~ 10 | X | O |
| 059 | 0 ~ 150 | 0 ~ 15 | X | O |
| 060 | 0 ~ 160 | 0 ~ 16 | X | O |
| 062 | 0 ~ 250 | 0 ~ 25 | X | O |
| 064 | 0 ~ 350 | 0 ~ 35 | X | O |
| 065 | 0 ~ 400 | 0 ~ 40 | X | O |
| 066 | 0 ~ 500 | 0 ~ 50 | X | O |
| 067 | 0 ~ 600 | 0 ~ 60 | X | O |
| 068 | 0 ~ 700 | 0 ~ 70 | X | O |
| 070 | 0 ~ 1,000 | 0 ~ 100 | X | O |
| 074 | 0 ~ 1,600 | 0 ~ 160 | X | O |
| 075 | 0 ~ 2,000 | 0 ~ 200 | X | O |
| 027 | -1 ~ 1 | -0.1 ~ 0.1 | -100 ~ 100 | O |
| 007 | -1 ~ 1.5 | -1 ~ 0.15 | -100 ~ 150 | O |
| 028 | -1 ~ 2 | -0.1 ~ 0.2 | -100 ~ 200 | O |
| 029 | -1 ~ 3 | -0.1 ~ 0.3 | -100 ~ 300 | O |
| 030 | -1 ~ 4 | -0.1 ~ 0.4 | -100 ~ 400 | O |
| 010 | -1 ~ 5 | -0.1 ~ 0.5 | -100 ~ 500 | O |
| 031 | -1 ~ 6 | -0.1 ~ 0.6 | -100 ~ 600 | O |
| 014 | -1 ~ 9 | -0.1 ~ 0.9 | -100 ~ 900 | O |
| 032 | -1 ~ 10 | -0.1 ~ 1 | -100 ~ 1,000 | O |
| 033 | -1 ~ 15 | -0.1 ~ 1.5 | -100 ~ 1.5 MPa | O |
| 034 | -1 ~ 20 | -0.1 ~ 2 | -100 ~ 2 MPa | O |
| 017 | -1 ~ 24 | -0.1 ~ 2.4 | -100 ~ 2.4 MPa | O |
| 035 | -1 ~ 25 | -0.1 ~ 2.5 | -100 ~ 2.5 MPa | O |

O : Available X : Not available