

# Model PSH

## High Performance Pressure Transducer

### Description

PSH model is high precise and its media-wetted materials are composed of stainless steel 316L, having excellent corrosion-resistant properties. It is applied to precise measurement and builds an inner amplifier to interface with various kinds of controllers.

### Features

- ▶ CE Certified
- ▶ VDC, mA output
- ▶ Measuring range 0~70MPa
- ▶ 0.15%FS accuracy
- ▶ Gauge and absolute measurement
- ▶ Piezoresistive silicon cell
- ▶ Stainless steel(316L) media-wetted materials

### Applications

- ▶ Process control
- ▶ Hydraulics & Pneumatic
- ▶ Compressor Control
- ▶ Chillers
- ▶ Refrigeration Equipment

### Specifications



#### Range

0 ~ 5kPa ... 70MPa(Gauge)  
-100kPa ~ 0 ... 70MPa (Gauge)  
0 ~ 35kPa ... 70MPa (Absolute)

#### Performance

Accuracy  $\pm 0.15\%FS(RSS)$   
Thermal Effect on Zero  $\pm 0.03\%FS/^{\circ}C$   
Thermal Effect on Span  $\pm 0.03\%FS/^{\circ}C$   
Compensated Temperature Range -10 ~ 70°C  
Operating Temperature Range -20 ~ 80°C

#### Electrical

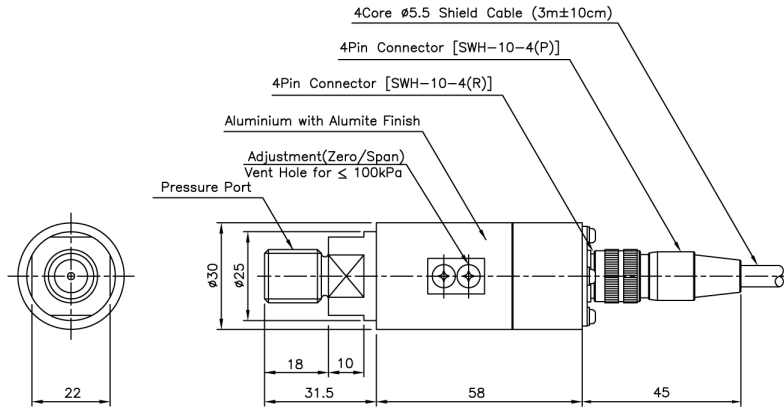
Excitation 11 ~ 28VDC  
Output 0~5VDC, 1~5VDC, 0~10VDC(3, 4Wire)  
4~20mA(2, 3 Wire)  
Electrical Connection Connector, Head, Din Connector

#### Physical

Proof Pressure X3 or 140MPa, Whichever is less.  
Burst Pressure X4 or 210MPa, Whichever is less.  
Vibration  $49.1m/s^2\{5G\}$ , 10~500Hz  
Shock  $490m/s^2\{50G\}$   
Pressure port R(PT)1/8", G(PF)1/8", R(PT)1/4", G(PF)1/4", R(PT)3/8", G(PF)3/8"  
Media-Wetted Materials Stainless Steel 316L, Viton  
Weight Connector type : Approx. 140g (Sensor Only)

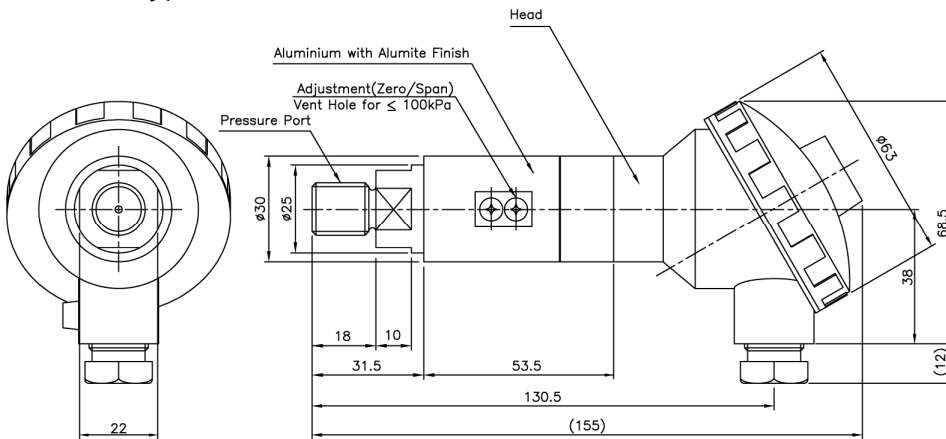
## Dimension

### ► Connector Type



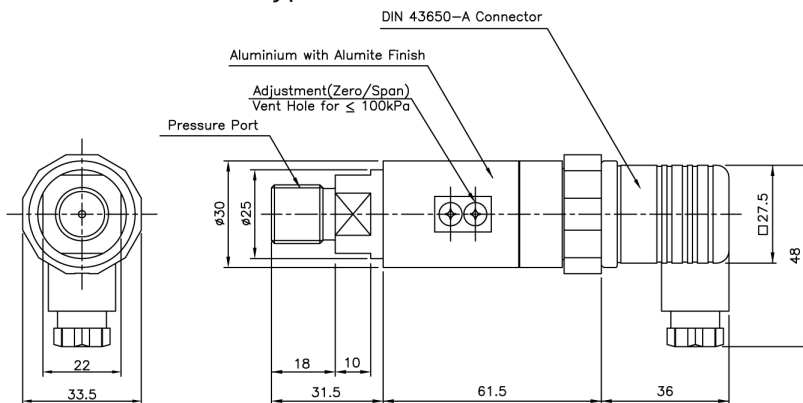
Pin No.	Wire Color	Connections		
		4Wire	3Wire	2Wire
1	Red	Input ⊕	Input ⊕	Input ⊕
2	White	Output ⊖	Common ⊖	×
3	Black	Input ⊖	×	Output ⊕
4	Green	Output ⊕	Output ⊕	×
5	Shield	Earth	Earth	Earth

### ► Head Type



No.	Connections
	2Wire
+	Input ⊕
⊕	Earth
-	Output ⊕

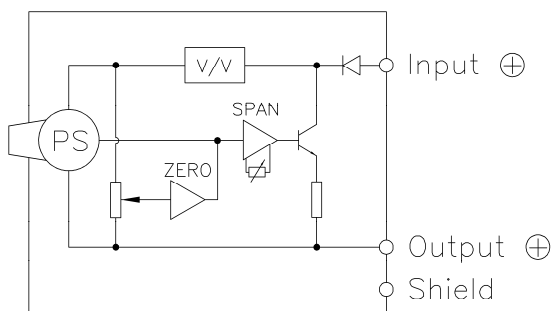
### ► Din connector Type



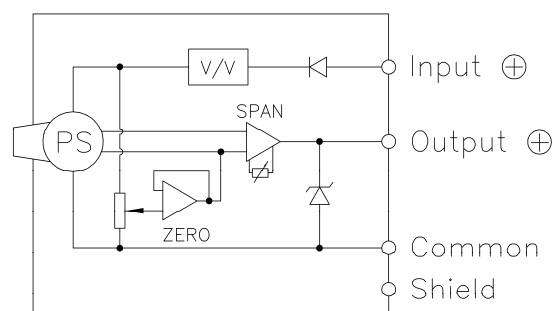
Pin No.	Connections	
	3Wire	2Wire
1	Input ⊕	Input ⊕
2	Common ⊖	Output ⊕
3	Output ⊕	×
⊕	Earth	Earth

## Internal Circuit Diagram

### ► 2Wire mA Output Type



### ► 3, 4Wire mA, VDC Output Type



## Ordering Information

Model Name		PSH	B	0100	R	A	P	G	Type of Pressure Measurement
								G : Gauge J : Absolute	
Output								Connecting Methods	
B : 4Wire 0~5V C : 3Wire 0~5V D : 4Wire 1~5V E : 3Wire 1~5V F : 4Wire 4~20mA		G : 3Wire 4~20mA H : 2Wire 4~20mA J : 3Wire 0~10V K : 4Wire 0~10V						P : Connector H : Head I : Din 43650-A connector	
Pressure Range								Pressure port	
XXXX : Pressure CXXX : Compound Pressure								A : R(PT)3/8"      D : G(PF)1/4" B : G(PF)3/8"      G : R(PT)1/8" C : R(PT)1/4"      H : G(PF)1/8"	
								Pressure Unit	
								R : kPa                  M : MPa B : bar                  K : kgf/cm <sup>2</sup> P : psi                  H : mmHg C : cmH <sub>2</sub> O	