

# Model SIG(HP)

## Explosion Proof Pressure Transmitter

### Description

SIG(HP) model, has Explosion Proof(Ex d IIC T6) and water-proof(IP67) is idle for a danger area and at the place is required to be waterproofed.

### Features

- ▶ Explosion proof approval to Ex d IIC T6, IP67
- ▶ Built-in amplifier circuit(VDC, mA)
- ▶ Measuring range -0.1~250MPa
- ▶ 0.035%FS accuracy

### Applications

- ▶ Process control & monitoring
- ▶ Hydraulics & Pneumatic
- ▶ Chemical & Petrochemical
- ▶ Liquid level measurement
- ▶ Food & Pharmaceutical
- ▶ Gas transmission pipe-line
- ▶ Plant utilities monitoring



### Specifications

#### Range

0~100kPa...250MPa(Gauge)  
-100kPa~0...250MPa(Gauge)  
0~100kPa...70MPa(Absolute)

#### Performance

Accuracy ±0.035%FS  
Thermal Effect on Zero ±0.025%FS  
Thermal Effect on Span ±0.025%FS  
Ambient Temperature Range -20~60°C  
Process Temperature Range -40~120°C

#### Electrical

Excitation 11~28VDC  
Output 4~20mA(3Wire), 0~5V, 1~5V, 0~10V  
Electrical Connection G(PF) 1/2"

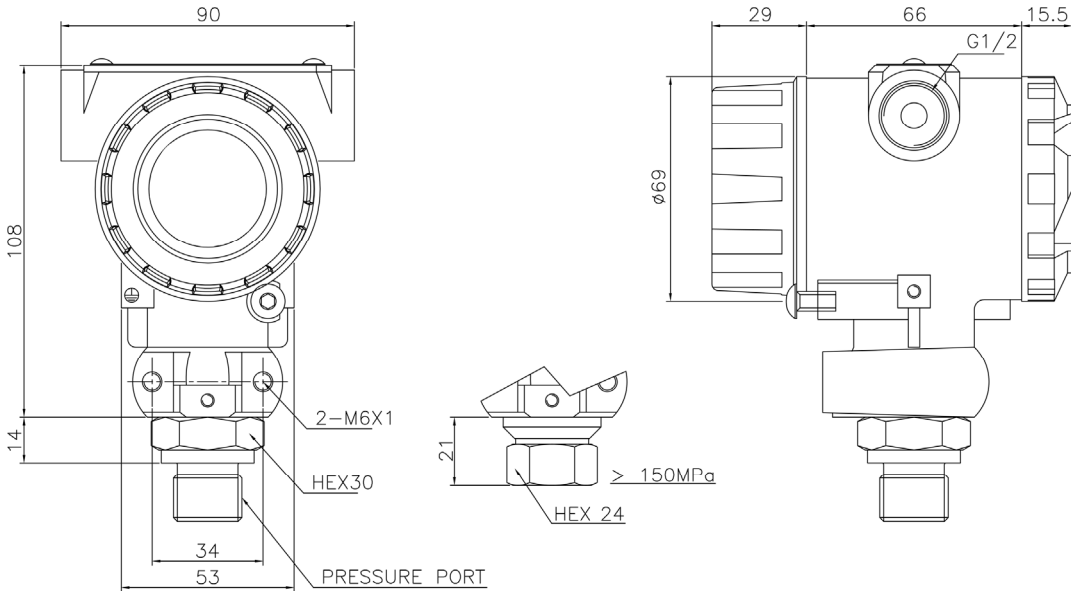
#### Physical

Proof Pressure -0.1~70MPa : X3 or 140MPa<sup>1)</sup>  
71~150MPa : X1.5 or 150MPa<sup>1)</sup>  
> 150MPa : X1.5 or 500MPa<sup>1)</sup>  
Vibration 49.1m/s<sup>2</sup>{5G}, 10~500Hz  
Shock 490m/s<sup>2</sup>{50G}  
Pressure Port R1/4",G1/4",R3/8",G3/8",R1/2",G1/2", 9/16UNF Female(Only > 1500bar),  
Flange & Other Connection Available on Request  
Media-Wetted Materials SS316L, VITON or SS316L, Ti 87%  
Explosion Proof Ex d IIC T6, IP67  
Protection IP67  
Weight Approx. 1kg

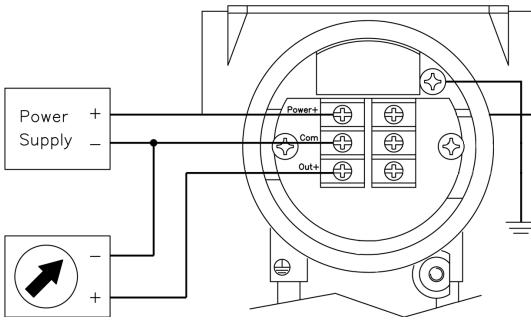
<sup>1)</sup> Whichever is less.

## Dimension

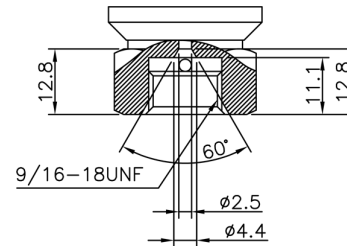
### ▶ Out Dimension



### ▶ Connection



### ▶ Pressure Port(> 1500bar)



## Ordering Information

<b>Model Name</b>	<b>SIG</b>	<b>G</b>	<b>A</b>	<b>0100</b>	<b>R</b>	<b>A</b>	<b>G</b>	<b>H</b>	<b>Accuracy</b>
<b>Analog Output</b>	C : 0~5V	J : 0~10V	E : 1~5V	G : 4~20mA(3Wire)					H : 0.035%FS
<b>Switching &amp; Digital Output</b>	A : None								<b>Type of Pressure Measurement</b>
<b>Pressure Range</b>	XXXX : Pressure	CXXX : Compound Pressure							G : Gauge
<b>Pressure Unit</b>	R : kPa	M : MPa	B : bar	K : kgf/cm <sup>2</sup>	P : psi	H : mmHg	C : cmH <sub>2</sub> O		J : Absolute
									<b>Pressure port</b>
									A : R(PT)3/8" B : G(PF)3/8"
									C : R(PT)1/4" D : G(PF)1/4"
									E : R(PT)1/2" Q : G(PF)1/2"
									K : 9/16-18 UNF(F) (Only > 1500bar)
									*. Flange & Other Connection Available on Request