

Model A1-1000

V, mA Input Type Digital Indicator

Description

Model A1-1000 is a 4digit(± 9999 count) industrial process indicator with large, bright 20mm high LED digit. It is designed to read inputting signals such as V, mA. All settings can be done with buttons in the front.

Features

- ▶ CE Certified
- ▶ Accepts 0~5V, 1~5V, 0~10V, 4~20mA Input Signals
- ▶ Large, Bright Display : ± 9999 (20mm high LED)
- ▶ AL1, AL2, GO RELAY Contact Output
- ▶ Analog Output(optional) : 0~5V, 1~5V, 0~10V, 4~20mA
- ▶ RS485 Communication(optional)
- ▶ SENSOR POWER(24V)
- ▶ Dimension : 96mm×48mm×111.5mm



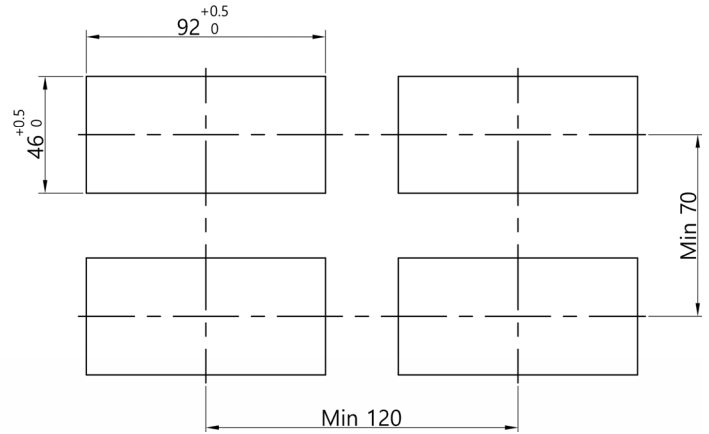
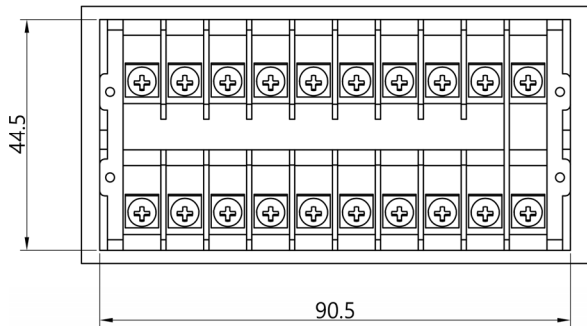
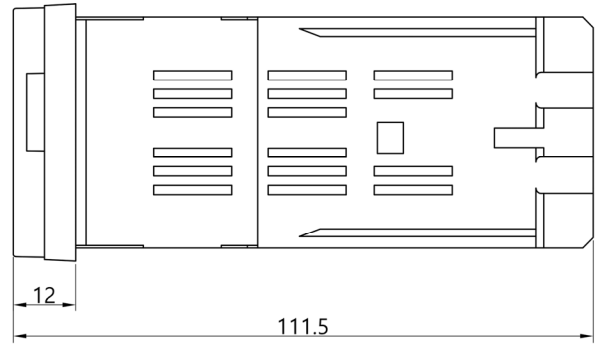
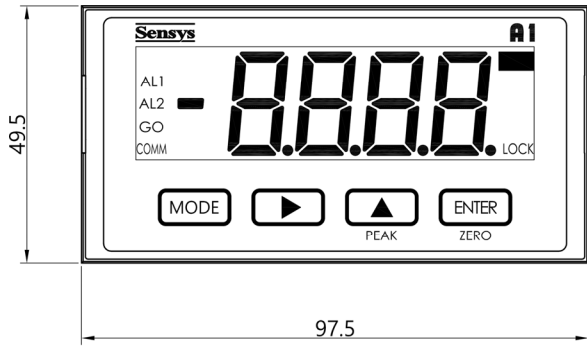
Specifications

Power	AC 90~250V 50/60Hz, DC 11~32V ^(Optional)	
Display	± 9999 (Red LED)	
Power for Transducer	24VDC(45mA)	
Input Signal	V	0~5VDC, 1~5VDC, 0~10VDC (Input Impedance above 1M Ω)
	mA	4~20mA (Input Impedance above 100 Ω)
Contact Output	AL1, AL2, GO RELAY(A Contact) Contact Capacity : 250V AC/5A, 30V/5A	
Analog Output ^(Optional)	0~5, 1~5, 0~10V, 4~20mA	
Communication ^(Optional)	RS485(Modbus RTU)	
Accuracy	$\pm 0.1\%FS \pm 1$ digit at 25°C	
Thermal Effect	$\pm 0.02\%FS/^\circ C$	
Sampling Time	0.3~9.9 sec.	
Operating Temperature(Humidity)	-10~50°C (10~90%RH)	
Storage Temperature(Humidity)	-20~80°C (5~95%RH)	
Dimension	W96 X H48 X D111.5	
Weight	230g	

Function

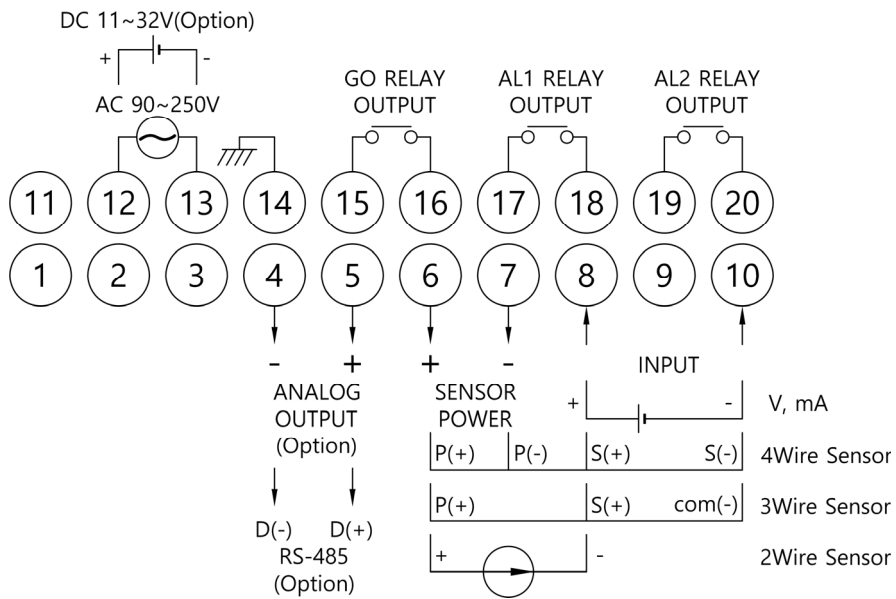
- ▶ Lock On/Off
- ▶ Zero-Adjustment
- ▶ Factory Reset
- ▶ Error Information
- ▶ Firmware Update Information
- ▶ Input Signal Control
- ▶ Special Functions(Root, Square)
- ▶ Response Rate Control
- ▶ Display Scale Control
- ▶ Decimal Point Control
- ▶ Display Lower-Limit Control
- ▶ Alarm HI/LOW Setting
- ▶ Analog Output Signal Setting
- ▶ Analog Output Scale Setting
- ▶ Analog Output Calibration
- ▶ Peak Setting
- ▶ Communication Setting

Dimension



Panel Thickness : 1~6mm

Connection



Ordering Information

