

Model A1-2000

Multi Input Type Digital Indicator

Description

Model A1-2000 is a 4-1/2digit(± 19999 count) industrial process indicator with legible 3-color, 20mm high LED digit. It is designed to read various inputting signals such as V, mV, mA, TC, RTD, Load Cell and others. All settings can be done with buttons in the front.

Features

- ▶ CE Certified
- ▶ Accepts V, mV, mA, TC, RTD, Load Cell
- ▶ Legible 3-color Display : ± 19999 (20mm high 3-color LED)
- ▶ AL1, AL2, GO RELAY Contact Output
- ▶ 0~5V, 1~5V, 0~10V, 4~20mA Analog Output
- ▶ RS485 Communication
- ▶ SENSOR POWER (24V, 10V, 5V)
- ▶ External Digital Input(D/I) : PEAK, HOLD, RESET, ZERO
- ▶ Dimension : 96mm×48mm×111.5mm



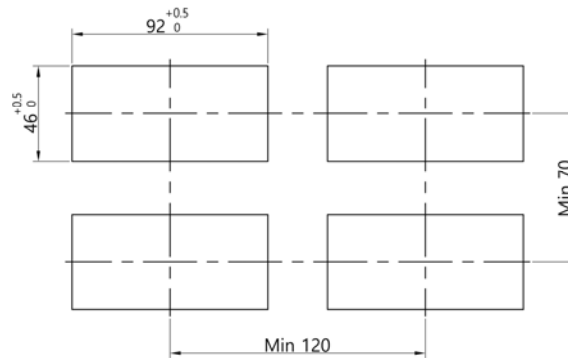
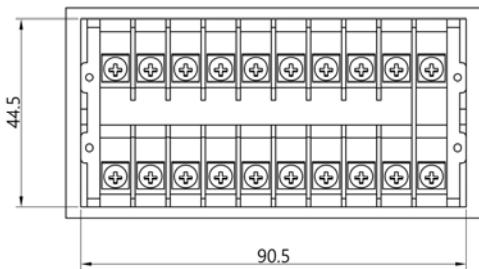
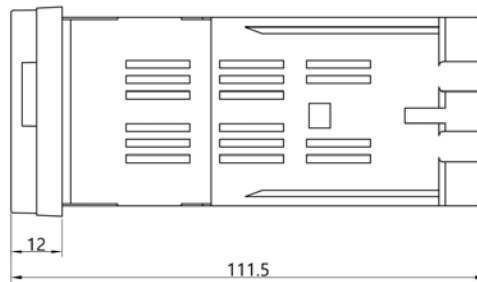
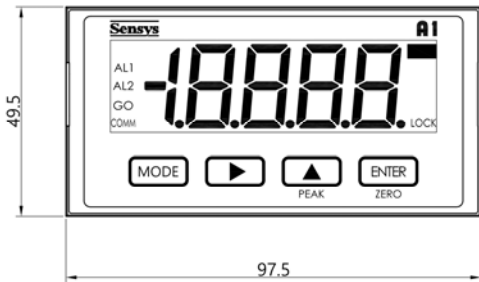
Specifications

Power	AC 90~250V 50/60Hz, DC 11~32V ^(Optional)				
Display	± 19999 (3 colors LED : Red/Green/Yellow)				
Power for Transducer	5, 10, 24VDC(45mA) / Load Cell : 5, 10VDC				
Input Signal	V	Min 0.00 ~ 1.00V / Max 0.00 ~ 11.00V (Input Impedance above 1M Ω)			
	mV	Min 0 ~ 10mV / Max 0 ~ 999mV (Input Impedance above 1M Ω)			
	Load Cell	0.5mV/V ~ 5.0mV/V (Input Impedance above 1M Ω)			
	mA	Min 0.00~1.00mA / Max 0.00~22.00mA (Input Impedance above 1M Ω)			
	RTD (3Wire)	Type	Measuring Range($^{\circ}$ C)	Min. Measured SPAN	Accuracy(%FS)
		DIN	-200~850	50	± 0.2
		JIS	-200~600	50	± 0.2
	T/C	Type	Measuring Range($^{\circ}$ C)	Min. Measured SPAN	Accuracy($^{\circ}$ C)
		R	0~1760	100	± 2.0
		K	-200~1370	60	± 1.5
		E	-200~1000	60	± 1.5
		J	-200~1200	60	± 1.5
		T	-200~400	50	± 1.5
		B	0~1820	100~400 : 300 400~1820 : 150	± 3.0 ± 2.0
S		0~1760	100	± 2.0	
N		-200~1300	60	± 1.5	
C	0~2310	100	± 2.0		
Digital Input(D/I)	PEAK, RESET(ZERO), HOLD				
Contact Output	AL1, AL2, GO RELAY(A Contact) Contact Capacity : 250V AC/5A, 30V/5A				
Analog Output ^(Optional)	0~5V, 1~5V, 0~10V, 4~20mA				
Communication ^(Optional)	RS485(Modbus RTU)				
Accuracy	$\pm 0.1\%$ FS at 25 $^{\circ}$ C				
Thermal Effect	$\pm 0.02\%$ FS/ $^{\circ}$ C				
Sampling Time	10, 50, 100, 250, 500, 1000ms				
Display Time	10, 50, 100, 250, 500, 1000ms				
Operating Temperature(Humidity)	-10~50 $^{\circ}$ C (10~90%RH)				
Storage Temperature(Humidity)	-20~80 $^{\circ}$ C (5~95%RH)				
Dimension	W96 X H48 X D111.5				
Weight	230g				

Function

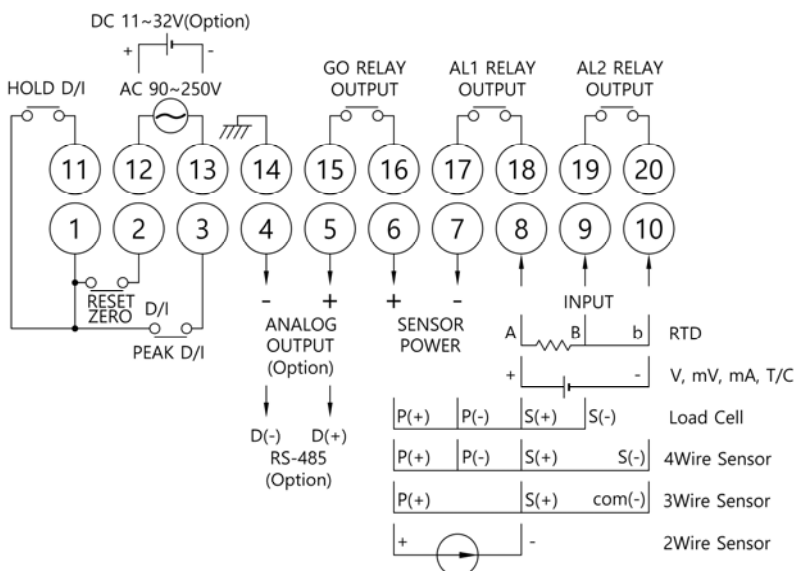
- ▶ Lock On/Off
- ▶ Zero-Adjustment
- ▶ Factory Reset
- ▶ Error Information
- ▶ Firmware Update Information
- ▶ Input Signal Control
- ▶ Special Functions(Root, Square)
- ▶ Response Rate Control
- ▶ Display Scale Control
- ▶ Decimal Point Control
- ▶ Display Lower-Limit Control
- ▶ Alarm HI/LOW Setting
- ▶ Analog Output Signal Setting
- ▶ Analog Output Scale Setting
- ▶ Analog Output Calibration
- ▶ Peak Setting
- ▶ Communication Setting
- ▶ SENSOR POWER Control
- ▶ Digital Input Signal Control
- ▶ Display Response Rate Control
- ▶ Digit Color Control
- ▶ Alarm of Signal Disconnection for Temperature Sensor

Dimension



Panel Thickness : 1~6mm

Connection



Ordering Information

